

AT&T High-Speed Data Pump Chip Sets 3.3 Volt Operation Addendum

Introduction

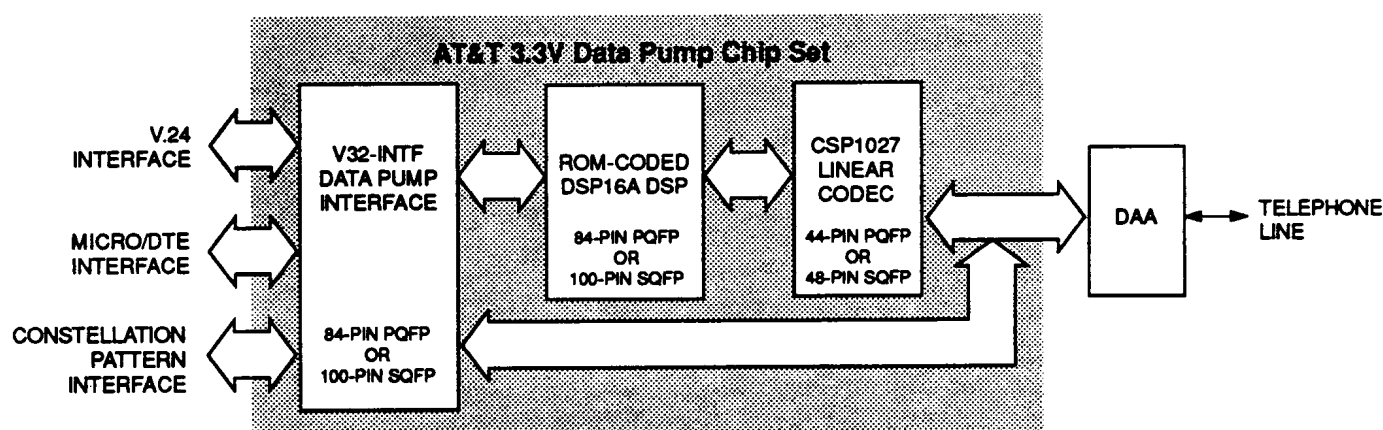
AT&T is now offering V.32bis plus V.17 FAX data pump chip sets that operate at 3.3 Volts for use in low power applications, such as laptop and notebook computer modems and PCMCIA card modems. The data pump supports high-speed data (V.32bis) and FAX (V.17) modes at speeds up to 14,400 bits/s. When operating at 3.3V, this chip set uses over 40% less power than current 5V designs. During typical operation, the 3.3V chip set requires only 260 mW of power.

The 3.3V data pump chip sets are available in two packaging options: plastic quad flat pack (PQFP) and skinny quad flat pack (SQFP). The SQFP packages are ideal for applications where space is at a premium, such as in PCMCIA card modems.

This document is to be used in conjunction with the AT&T High-Speed Data Pump Chip Sets Data Book (MN91-063DMOS, December 1991).

Features

- Low power consumption:
 - Typical active power consumption: 260 mW
 - Sleep mode power consumption: 27 mW
- Data mode compatibilities:
 - CCITT V.32bis: 14,400 (TCM), 12,000 (TCM), 7200 (TCM)
 - CCITT V.32: 9600 (TCM), 9600 (QAM), 4800 (QAM)
 - CCITT V.22bis: 2400 (QAM), 1200 (DPSK)
 - CCITT V.22: 1200 (DPSK), 600 (DPSK)
 - CCITT V.23: 1200 (FSK), 600 (FSK)
 - CCITT V.21: 300 (FSK)
 - Bell 212A: 1200 (DPSK)
 - Bell 103: 300 (FSK)
- FAX mode compatibilities:
 - CCITT V.17: 14,400 (TCM), 12,000 (TCM), 7200 (TCM)
 - CCITT V.29: 9600 (QAM), 7200 (QAM)
 - CCITT V.27ter: 4800 (DPSK), 2400 (DPSK)
 - CCITT V.21 Channel 2: 300 (FSK)
- Voice-thru mode with GSM coder for applications such as PC-based answering machines



The AT&T 3.3V Data Pump Chip Set includes a DSP16A Digital Signal Processor, a CSP1027 Linear Codec, and a V32-INTFC Interface Device.

Table of Contents

Contents	Page
Introduction	1
Features	1
Ordering Information	2
Pin Information	3
Chip Set Interconnect Circuitry	6
Electrical Characteristics	7
Power Dissipation.....	8
Package Outline Diagrams	9
44-Pin PQFP	9
48-Pin SQFP	9
84-Pin PQFP	10
100-Pin SQFP	11

Ordering Information

Part Number	Product Description
V32FBV-L3-FFJ	3.3V V.32bis plus V.17 FAX in PQFP packages
V32FBV-L3-SSS	3.3V V.32bis plus V.17 FAX in SQFP packages

Note: The information in this document is preliminary. Please contact the AT&T modem marketing group for the latest information before starting your product design.

Pin Information

For the 3.3V data pump, the T7525 codec used in previous AT&T data pumps is replaced with the CSP1027 codec. This codec is available in two packages, a 44-pin PQFP and a 48-pin SQFP. Figures 1 and 2 show the pin locations for these two packages.

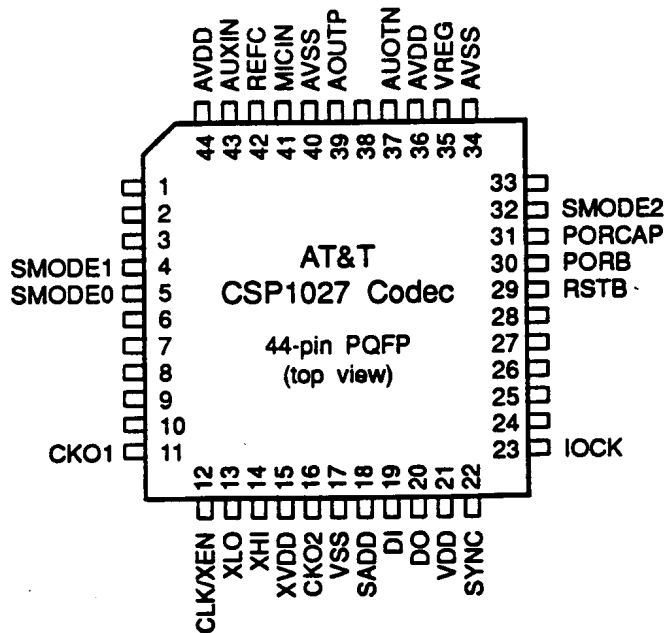


Figure 1. CSP1027 (PQFP) Signal Locations

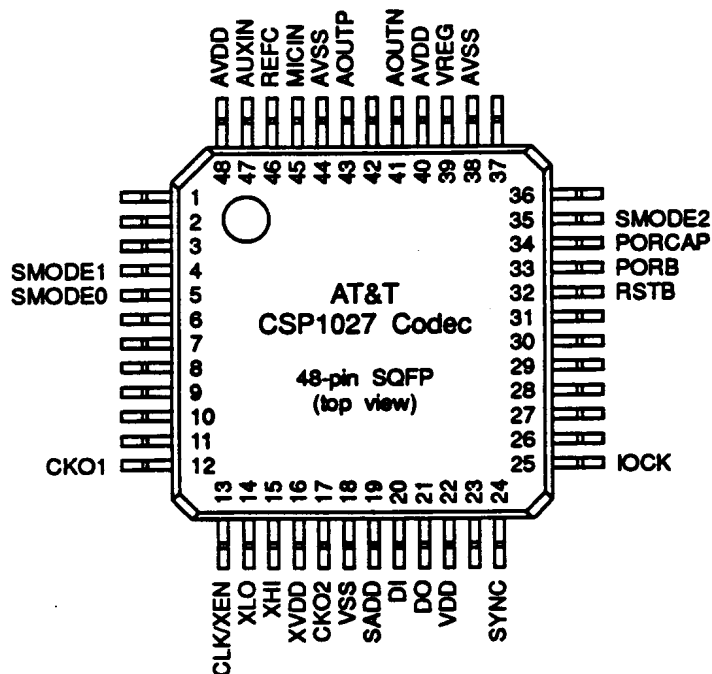


Figure 2. CSP1027 (SQFP) Signal Locations

Pin Information (continued)

Figures 3 and 4 show the signal locations for both DSP16A Digital Signal Processor packages.

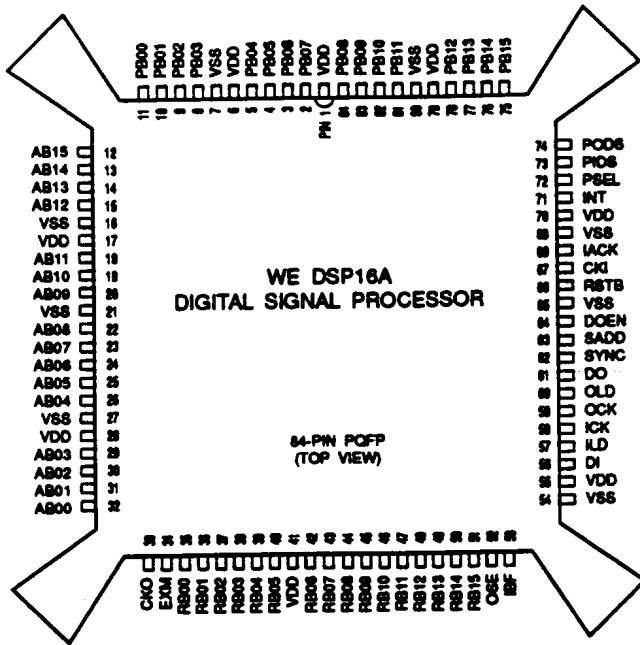


Figure 3. DSP16A (PQFP) Signal Locations

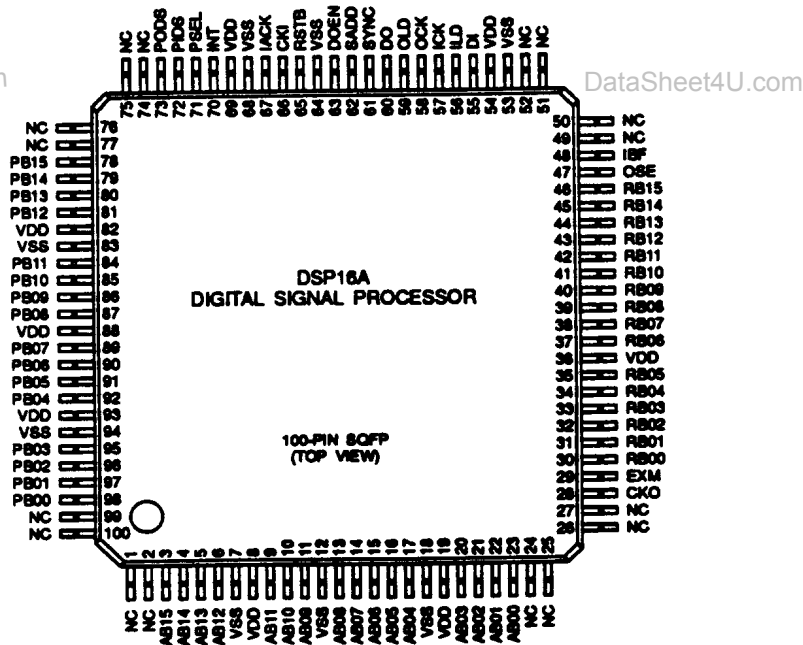


Figure 4. DSP16A (SQFP) Signal Locations

Pin Information (continued)

Figures 5 and 6 show the signal locations for both V32-INTFC Interface Device packages.

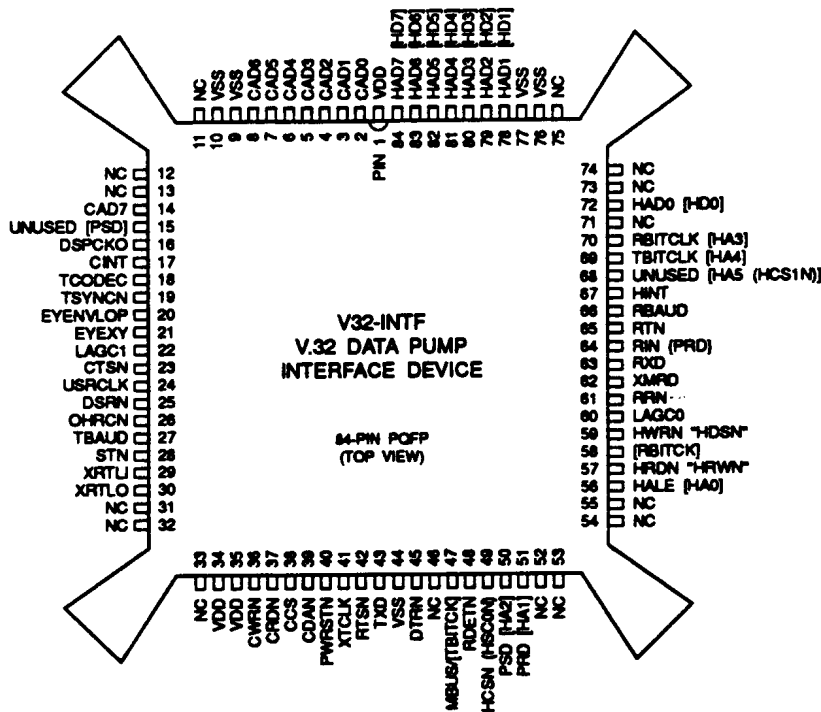


Figure 5. V32-INTFC (PQFP) Signal Locations

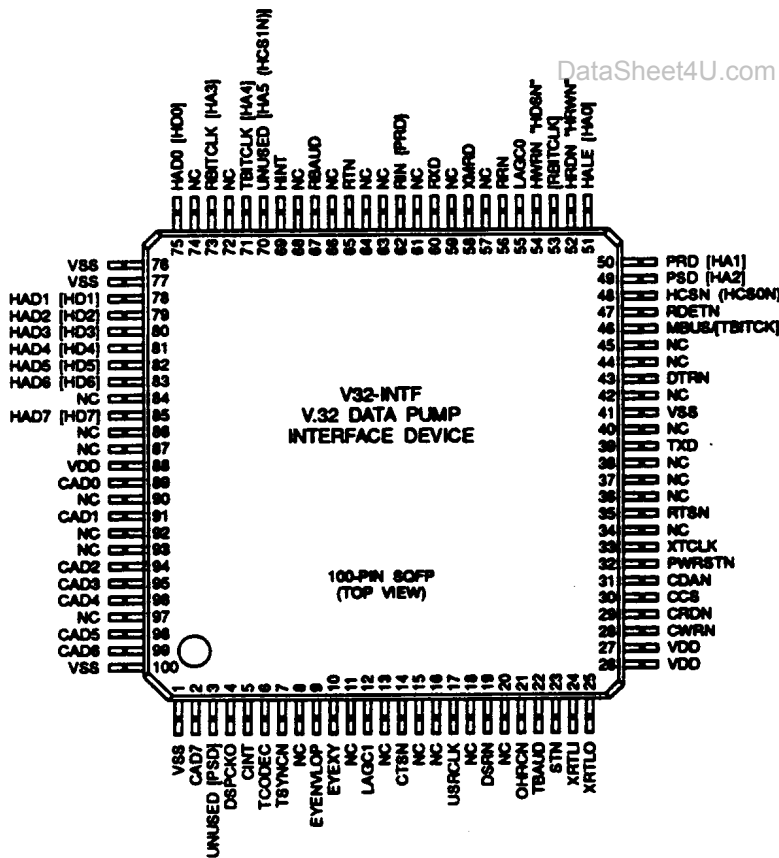
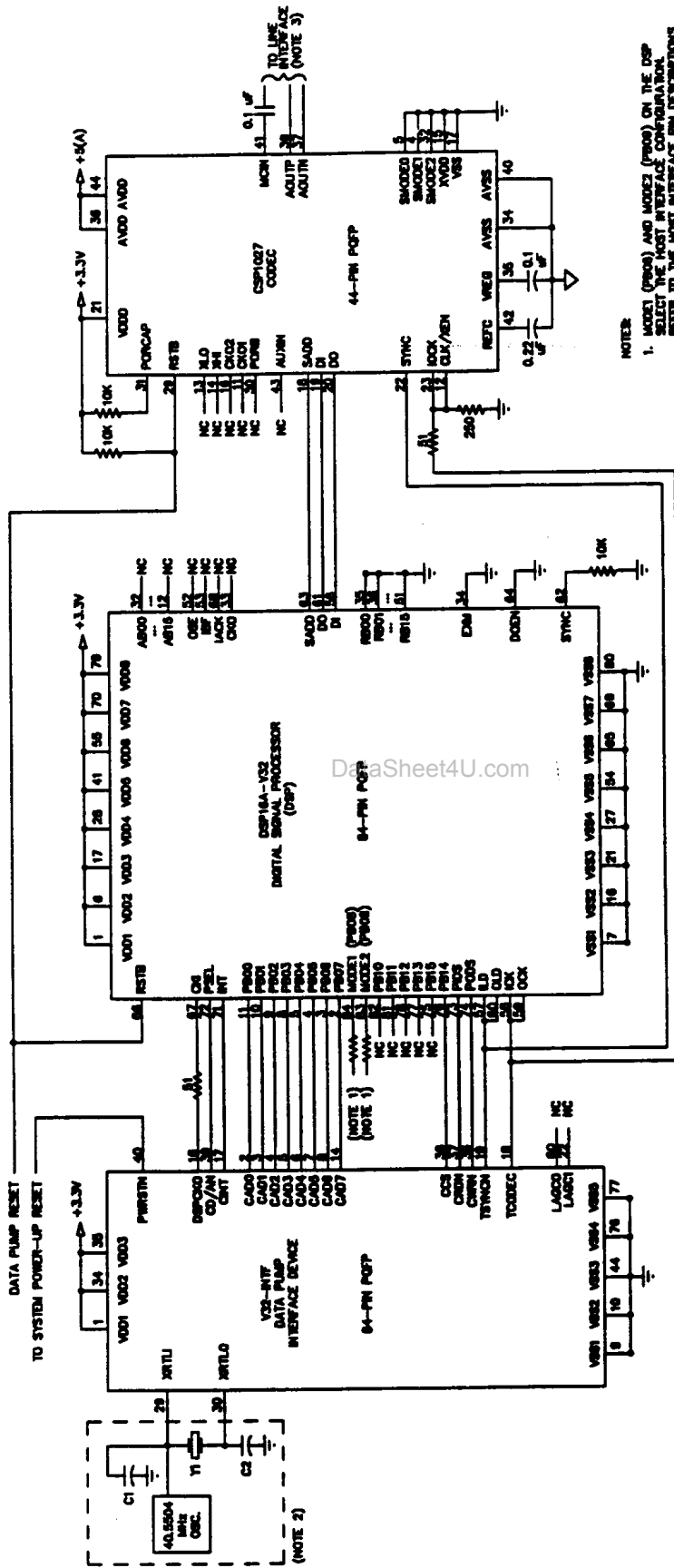


Figure 6. V32-INTFC (SQFP) Signal Locations

Interconnect Circuitry

Figure 7 shows the interconnect circuitry for the 3.3 Volt data pump chip set.



- NOTES
1. MODE1 (P800) AND MODE2 (P808) ON THE DSP MUST BE SET TO THE MODES SPECIFIED IN THE PINS SELECT TO THE HOST INTERFACE PIN DESCRIPTIONS FOR EACH PARTICULAR MODE.
 2. SITES FOR COMPONENTS C1, C2, AND Y1 SHOULD BE INCORPORATED FOR FUTURE MIGRATION TO A CRYSTAL. THE CURRENT CHIP SET REQUIRES ONLY THE 40.5504 MHZ OSCILLATOR.
 3. THE INPUT VOLTAGE ON MCON MUST BE RESTRICTED TO A RANGE FROM 0V TO +1V.

Figure 7. Data Pump Interconnect Circuitry

Electrical Characteristics

The electrical and timing characteristics in this data sheet are preliminary and are subject to change.

Electrical characteristics are presented here for the entire chip set. These characteristics are valid when the chip set is connected as recommended in this data sheet. Additional information regarding the DSP16A DSP and the CSP1027 codec is available in their respective data sheets.

These parameters are valid for the following conditions:

$T_A = 0$ to 70 °C, $V_{DD} = 3.3$ V \pm 0.3V (digital supply), $AV_{DD} = 5$ V \pm 5% (analog supply),
 $V_{SS} = GND = G_{NDA} = 0$ V

or

$T_A = 0$ to 70 °C, $V_{DD} = 5$ V \pm 5% (digital supply), $AV_{DD} = 5$ V \pm 5% (analog supply),
 $V_{SS} = GND = G_{NDA} = 0$ V

Parameter	Symbol	5 Volts		3.3 Volts		Unit
		Min	Max	Min	Max	
Input Voltage (CMOS Inputs):	V_{IL}	—	0.75	—	0.5	V
	V_{IH}	$V_{DD} - 0.75$	—	$V_{DD} - 0.5$	—	V
Input Voltage (Schmitt Trigger*): (RDET and RTSN inputs):	V_{ILC}	—	0.5	—	0.5	V
	V_{IHC}	$V_{DD} - 0.5$	—	$V_{DD} - 0.5$	—	V
Output Low Voltage	V_{OL}	—	0.5	—	0.3	V
Output Low Current All pins except below: DSPCKO/POP1, PIP0/POP0, C16XCLK, TCODECK, TSYNCRN: OHRNCRN:	I_{OL}	—	3	—	0.1	mA
	I_{OL}	—	11	—	0.5	mA
	I_{OL}	—	24	—	1.0	mA
Output High Voltage	V_{OH}	—	$V_{DD} - 0.5$	—	$V_{DD} - 0.3$	V
Output High Current All pins except below: DSPCKO/POP1, PIP0/POP0, C16XCLK, TCODECK, TSYNCRN: OHRNCRN:	I_{OH}	—	3	—	0.1	mA
	I_{OH}	—	11	—	0.5	mA
	I_{OH}	—	24	—	1.0	mA
Input Leakage (no pull-up):	High ($V_{IH} = V_{DDMAX}$)	—	5	—	3	μ A
	Low ($V_{IL} = 0.0$ V)	-5	—	-3	—	μ A
Input Loading (50 K Ω pull-up):	High ($V_{IH} = V_{DDMAX}$)	—	5	—	3	μ A
	Low ($V_{IL} = 0.0$ V)	-110	—	-75	—	μ A
Output 3-state Current:	High ($V_{APPLIED} = V_{DDMAX}$)	—	10	—	10	μ A
	Low ($V_{APPLIED} = 0.0$ V)	-10	—	-10	—	μ A
Capacitance:	Input Pins	—	10	—	10	pF
	I/O Pins	—	350	—	175	pF

* Schmitt Trigger has a maximum of 1.8V hysteresis at 5 Volts

Electrical Characteristics (continued)

Maximum Ratings

Stresses in excess of the Absolute Maximum Ratings can cause permanent damage to the device. These are absolute stress ratings only. Functional operation of the device is not implied at these or any other conditions in excess of those given in the operational sections of the data sheet. Exposure to Absolute Maximum Ratings for extended periods can adversely affect device reliability.

Voltage range on any pin with respect to ground	$V_{SS}-0.3$ to $V_{DD}+0.3$ V
Ambient temperature range	-40 to +125 °C
Storage temperature range	-40 to +125 °C

Warning: All CMOS devices are prone to latch-up if excessive current is injected to/from the substrate. To prevent latch-up at power-up, no input pin should be subjected to input voltages greater than V_{IH} , or less than $V_{SS}-0.3$ V before V_{DD} is applied. After power-up, inputs should not be subjected to voltages greater than $V_{DD}+0.3$ V or less than $V_{SS}-0.3$ V.

Handling Precautions: Buffers have been characterized for two types of ESD events: the human-body model (HBM) and the charged-device model (CDM). The Human-body model simulates the effect of a charge stored on a persons body being discharged to ground through the device. Devices are characterized for HBM and CDM by using the methodology prescribed by the AT&T spec X-19435, Issue 3. Devices are also characterized for HBM according to the methodology prescribed by MIL-STD 883C Method 3015.7, Notice 8.

Chip Set Power Dissipation

The following table lists the power dissipation for the 3.3V data pump chip sets. Individual numbers are presented for each of the three devices in the set and for the set as a whole. Typical power dissipation assumes $V_{CC} = 3.3$ V and $T_A = 30$ °C. Maximum power dissipation assumes $V_{CC} = 3.6$ V and $T_A = 70$ °C. In both cases, the maximum capacitive loading (10 pF) was applied to all outputs. Both typical and maximum power dissipation measurements (for active mode) were performed while the data pump was operating in 9600 bits/s V.32 mode. During sleep mode power measurements, all device inputs were at CMOS levels.

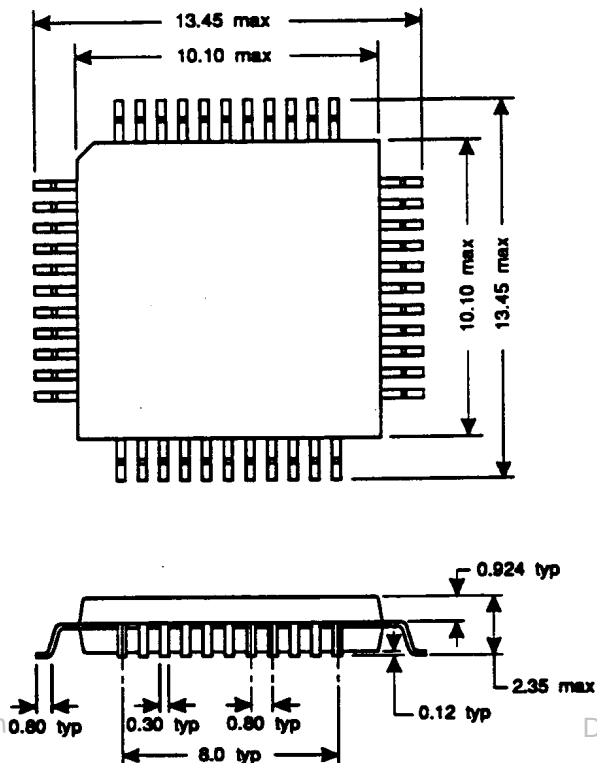
Table 1. 3.3V Data Pump Power Dissipation

Device	Active Mode		Sleep Mode		Unit
	Typ	Max	Typ	Max	
DSP16A	130	178	10	14	mW
V32-INTF	58	94	15	20	mW
CSP1027	72	78	2	4	mW
Total:	260	350	27	38	mW

Package Outline Diagrams

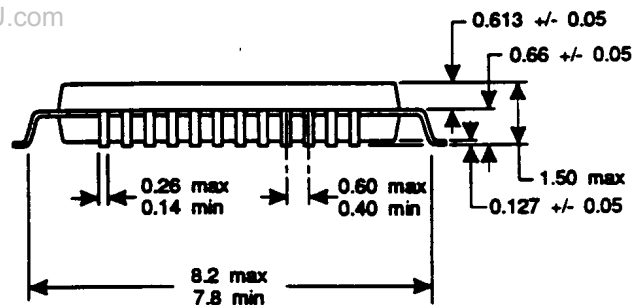
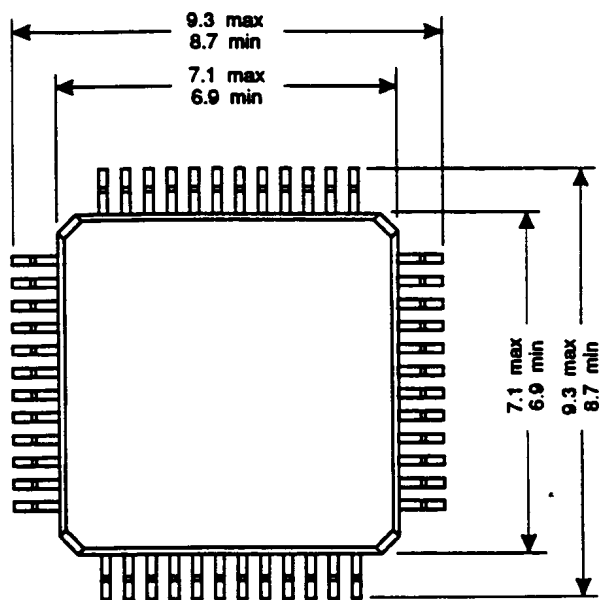
44-Pin PQFP Package (for CSP1027 Codec)

All dimensions are in millimeters.



48-Pin SQFP (for CSP1027 Codec)

All dimensions are in millimeters.



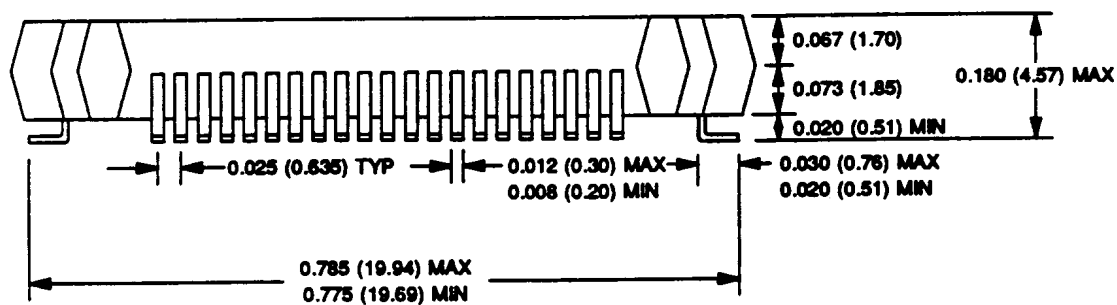
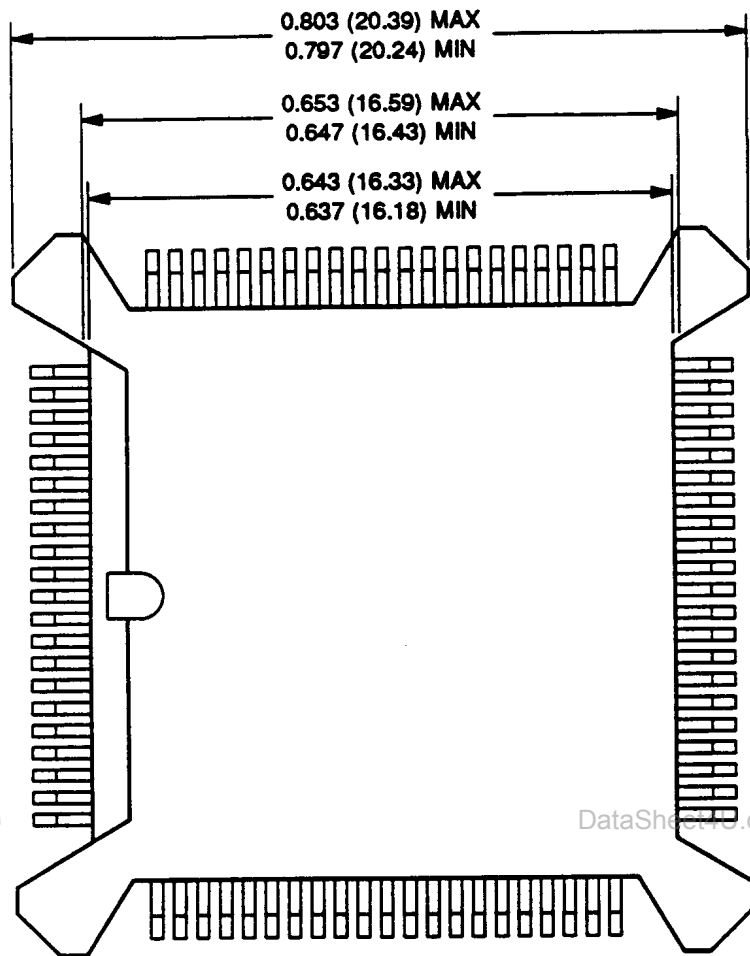
et4U.com

DataSheet4U.com

DataShe

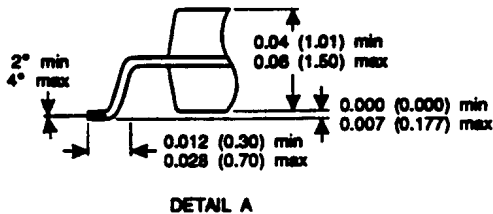
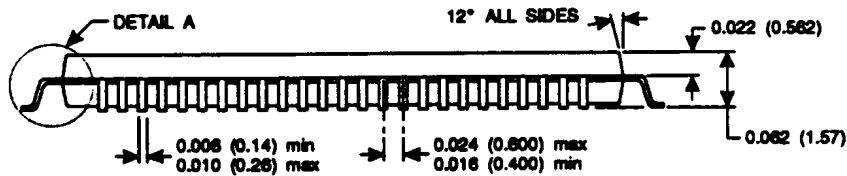
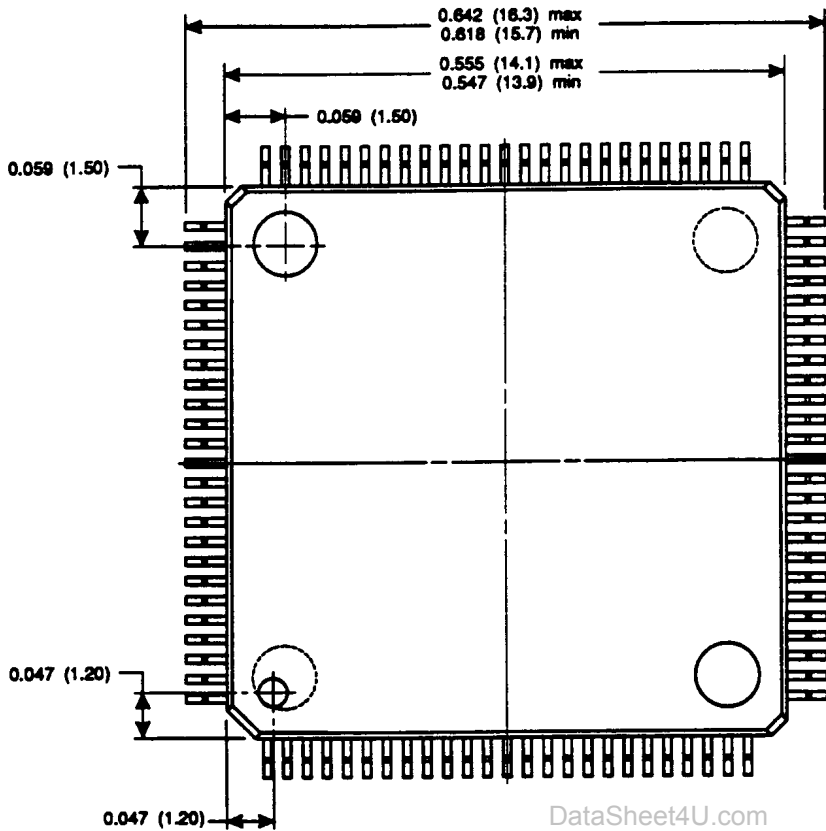
Package Outline Diagrams (continued)

84-Pin PQFP (for DSP16A and V32-INTFC)



Package Outline Diagrams (continued)

100-Pin SQFP (for DSP16A and V32-INTFC)



Notes:
 Molding flash is permitted around the periphery of body.
 Flash shall not extend more than 0.01 (0.254) beyond body.

AT&T 3.3V Data Pumps

et4U.com

DataSheet4U.com

For additional information, contact your AT&T Account Manager or the following:

U.S.A.: AT&T Microelectronics, Dept. AL-520404200, 555 Union Boulevard, Allentown, PA 18103
1-800-372-2447, FAX 215-778-4106 (In Canada: 1-800-553-2448, FAX 215-778-4106)

EUROPE: AT&T Microelectronics, AT&T Deutschland GmbH, Bahnhofstr. 27A, D-8043 Unterfoehring, Germany
Tel. (49) 89 95086-0, FAX (49) 89 95086-333

ASIA PACIFIC: AT&T Microelectronics Asia/Pacific, 14 Science Park Drive, #03-02A/04 The Maxwell, Singapore 0511
Tel. (65) 778-8833, FAX (65) 777-7495, Telex RS 42898 ATTM

JAPAN: AT&T Microelectronics, AT&T Japan Ltd., 31-11, Yoyogi 1-chome, Shibuya-ku, Tokyo 151, Japan
Tel. (03) 5371-2700, FAX (03) 5371-3556

SPAIN: AT&T Microelectronica de España, Polígono Industrial de Tres Cantos (Zona Oeste), 28770 Colmenar Viejo, Madrid, Spain
Tel. (34) 1-8071441, FAX (34) 1-8071420

AT&T reserves the right to make changes to the product(s) or information contained herein without notice. No liability is assumed as a result of their use or application. No rights under any patent accompany the sale of any such product(s) or information.

Copyright © 1992 AT&T
All Rights Reserved
Printed in U.S.A.

September 1992
DA92-014DMOS



AT&T
Microelectronics

OCT 26 1993

038565 ✓

www.DataSheet4U.com

DataSheet4U.com

DataSheet4U.com

DataSheet4U.com