

Project: CPS2 Reverse Engineering: DL-2027
 Author: Loic *WydD* Petit
 Licence: CC-BY

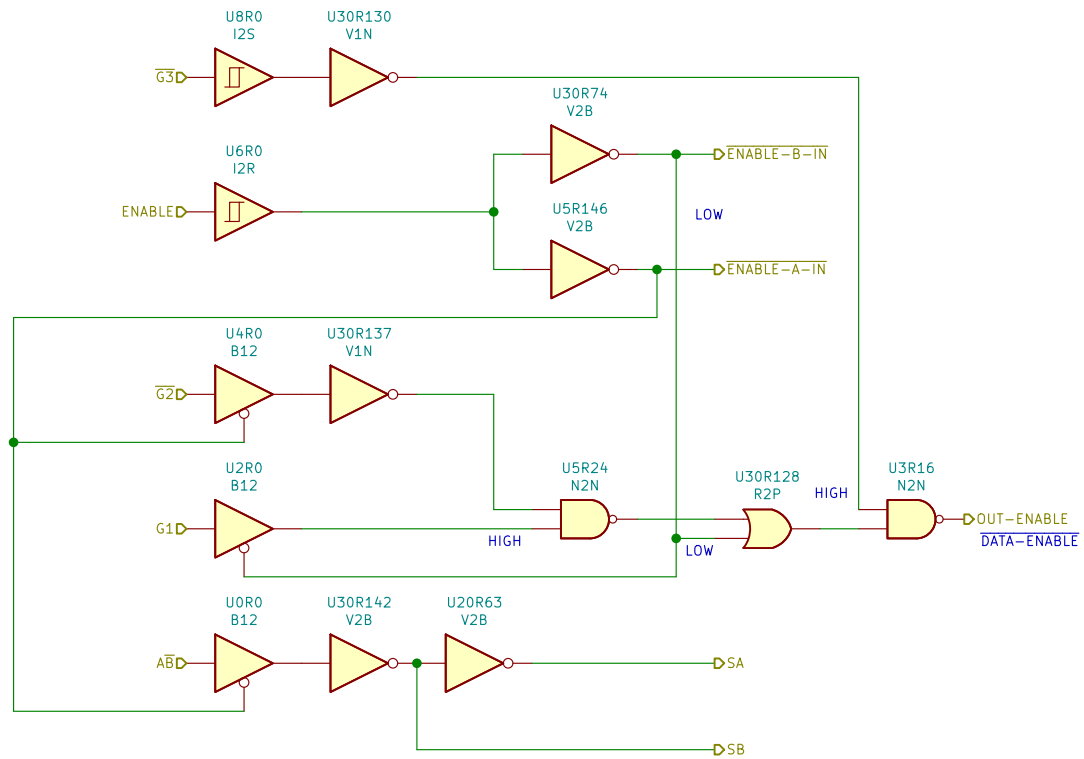
Sheet: /
 File: DL-2027.sch

Title: DL-2027

Size: A4 Date: 2020-04-28
 KiCad E.D.A. eeschema 5.1.7-a382d34a887ubuntu18.04.1

Rev:
 Id: 1/6





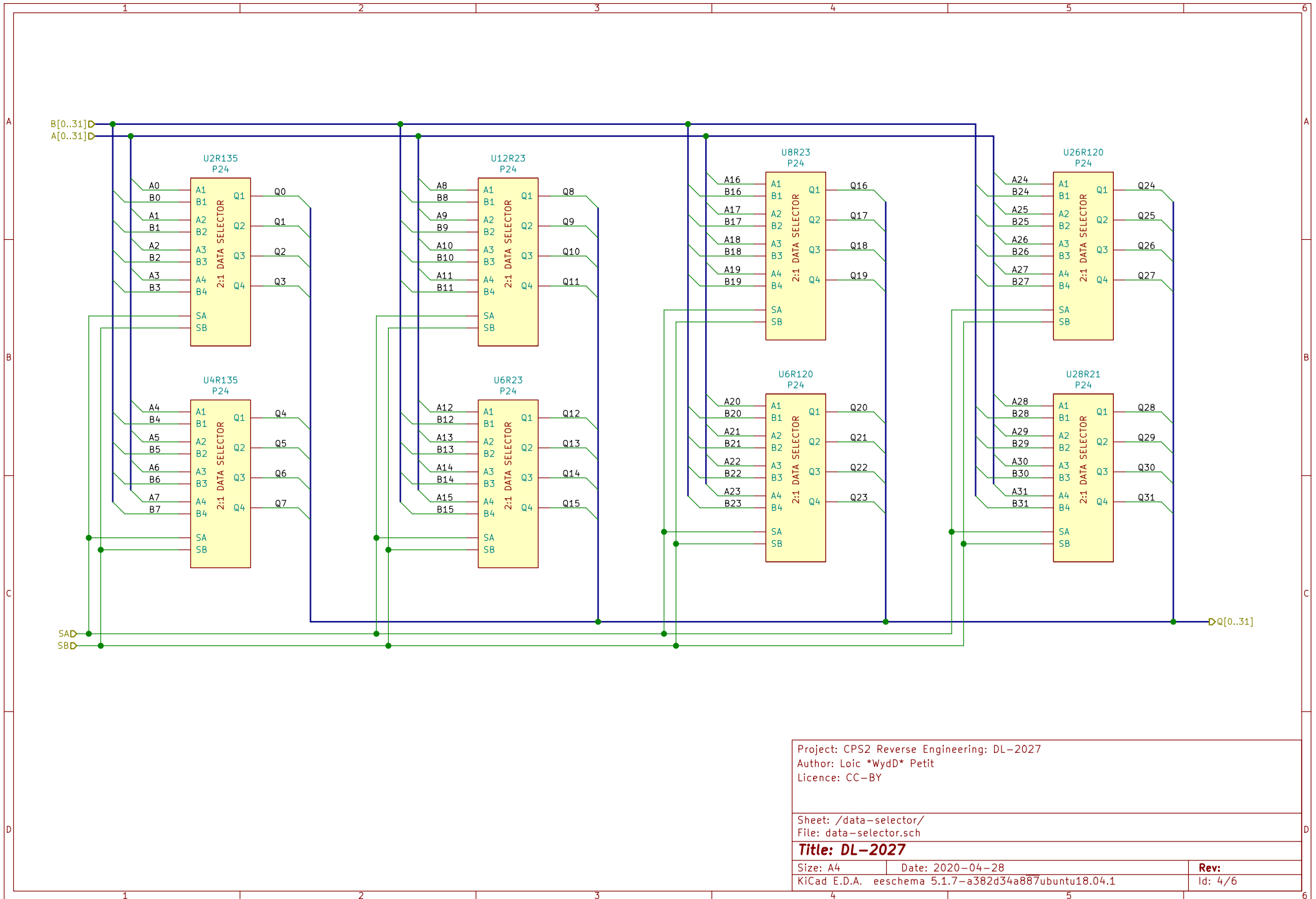
Project: CPS2 Reverse Engineering: DL-2027
 Author: Loic *WydD* Petit
 Licence: CC-BY

Sheet: /misc-input/
 File: misc-input.sch

Title: DL-2027

Size: A4 | Date: 2020-04-28
 KiCad E.D.A. eeschema 5.1.7-a382d34a887ubuntu18.04.1

Rev:
 Id: 3/6



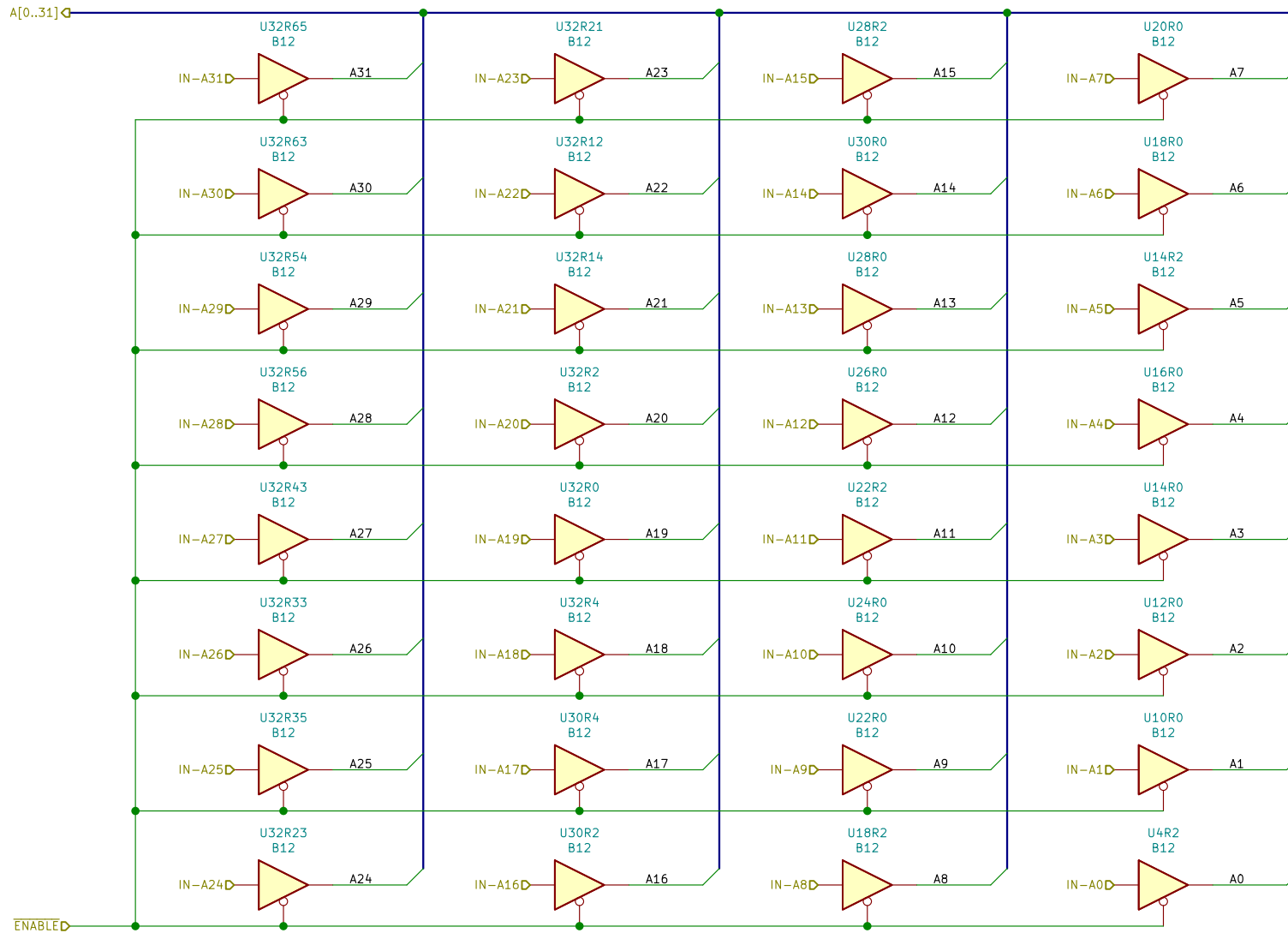
Project: CPS2 Reverse Engineering: DL-2027
 Author: Loic *Wyd* Petit
 Licence: CC-BY

Sheet: /data-selector/
 File: data-selector.sch

Title: DL-2027

Size: A4 Date: 2020-04-28
 KiCad E.D.A. eeschema 5.1.7-a382d34a887ubuntu18.04.1

Rev:
 Id: 4/6



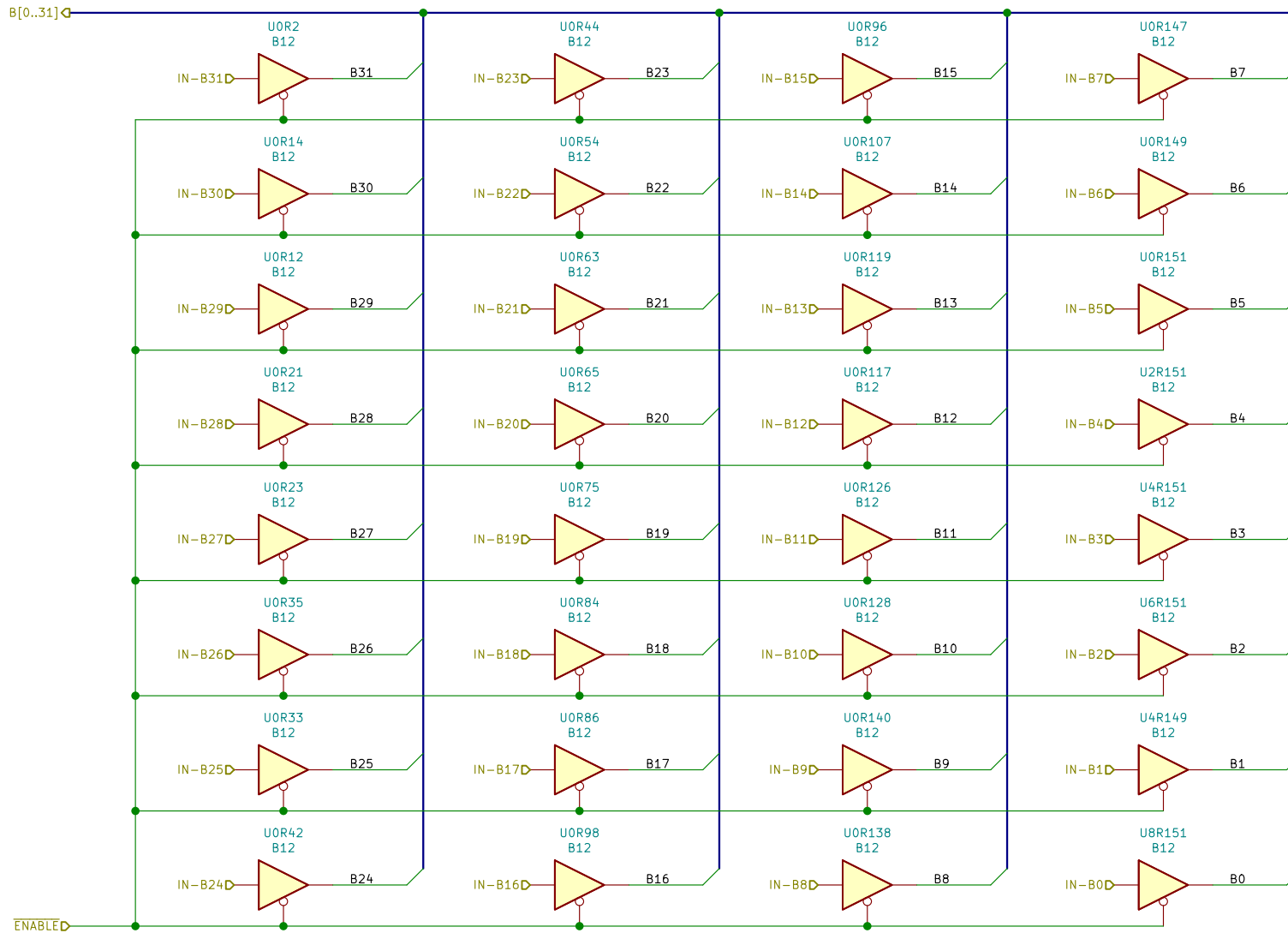
Project: CPS2 Reverse Engineering: DL-2027
 Author: Loic *Wyd* Petit
 Licence: CC-BY

Sheet: /a-bus-input/
 File: a-bus-input.sch

Title: DL-2027

Size: A4 Date: 2020-04-28
 KiCad E.D.A. eeschema 5.1.7-a382d34a887ubuntu18.04.1

Rev:
 Id: 5/6



Project: CPS2 Reverse Engineering: DL-2027
 Author: Loic *Wyd* Petit
 Licence: CC-BY

Sheet: /b-bus-input/
 File: b-bus-input.sch

Title: DL-2027

Size: A4
 Date: 2020-04-28
 KiCad E.D.A. eeschema 5.1.7-a382d34a887ubuntu18.04.1

Rev:
 Id: 6/6