

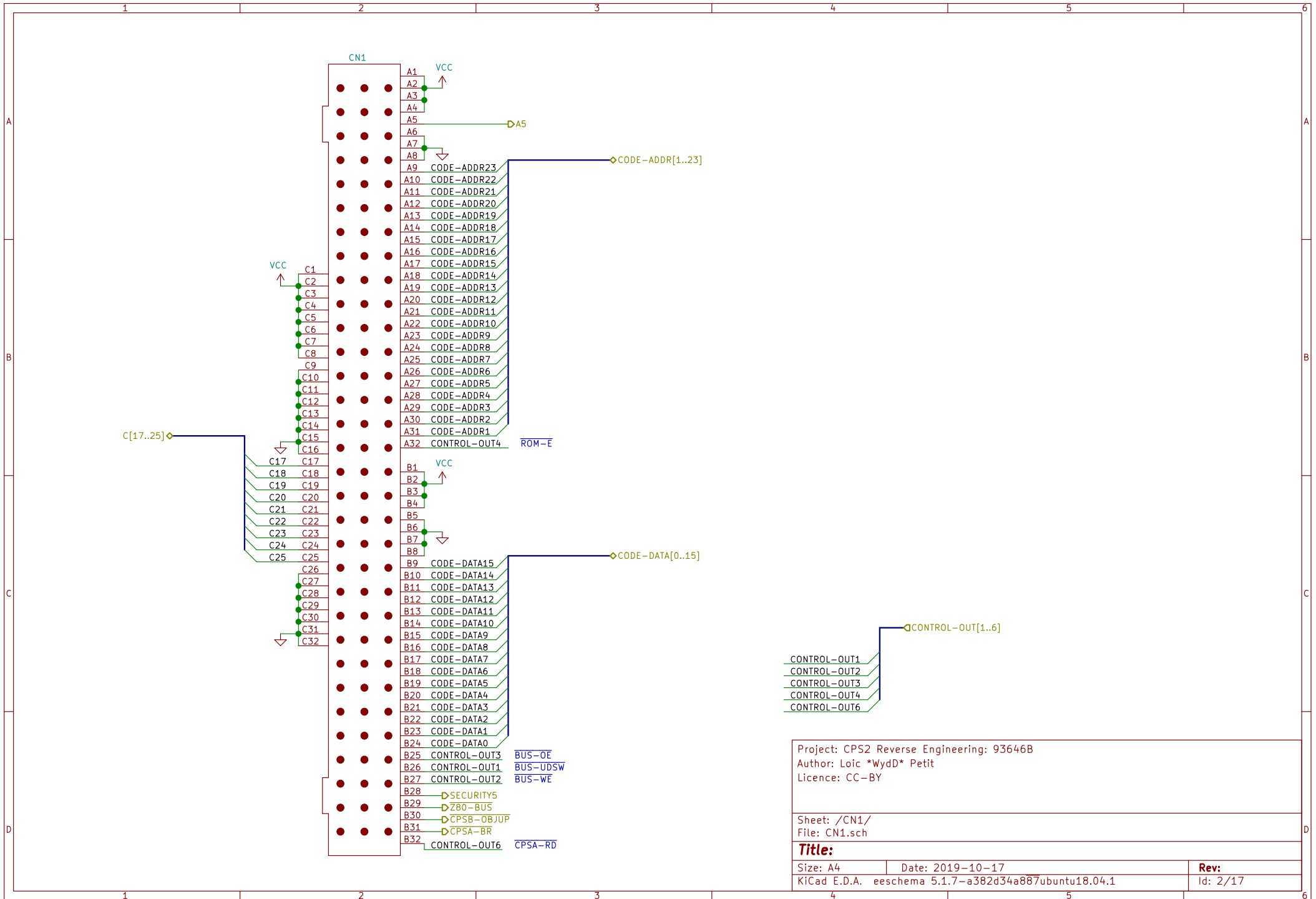
Project: CPS2 Reverse Engineering: 93646B  
 Author: Loic "WydD" Petit  
 Licence: CC-BY

---

Sheet: /  
 File: 93646B.sch

**Title: Top Level View**

Size: A3	Date: 2019-10-17	Rev:
KiCad E.D.A. eschema 5.1.7-a382d34a887ubuntu18.04.1		Id: 1/17

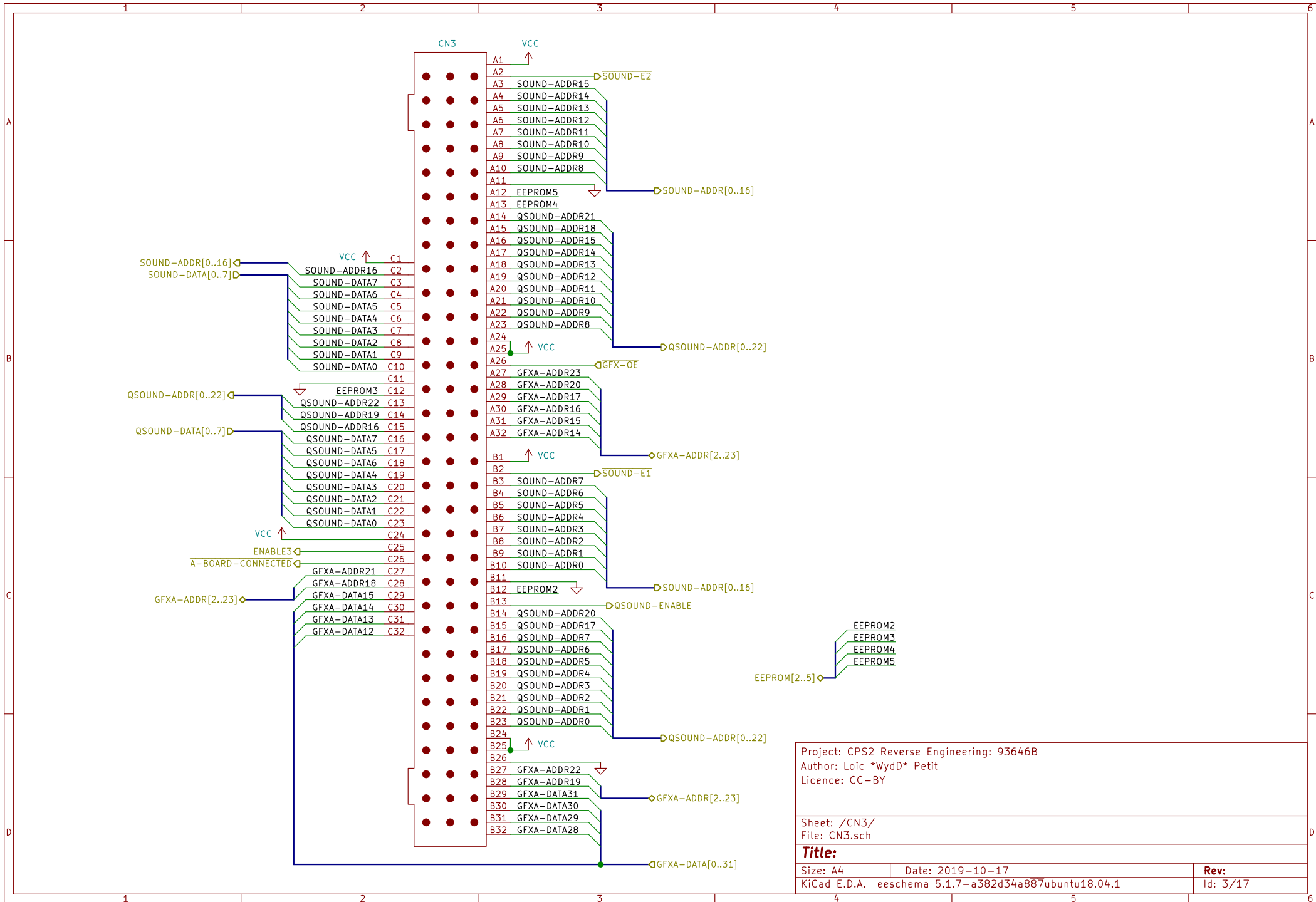


Project: CPS2 Reverse Engineering: 93646B  
 Author: Loic \*Wyd\* Petit  
 Licence: CC-BY

Sheet: /CN1/  
 File: CN1.sch

**Title:**

Size: A4	Date: 2019-10-17	Rev:
KiCad E.D.A. eeschema 5.1.7-a382d34a887ubuntu18.04.1		Id: 2/17

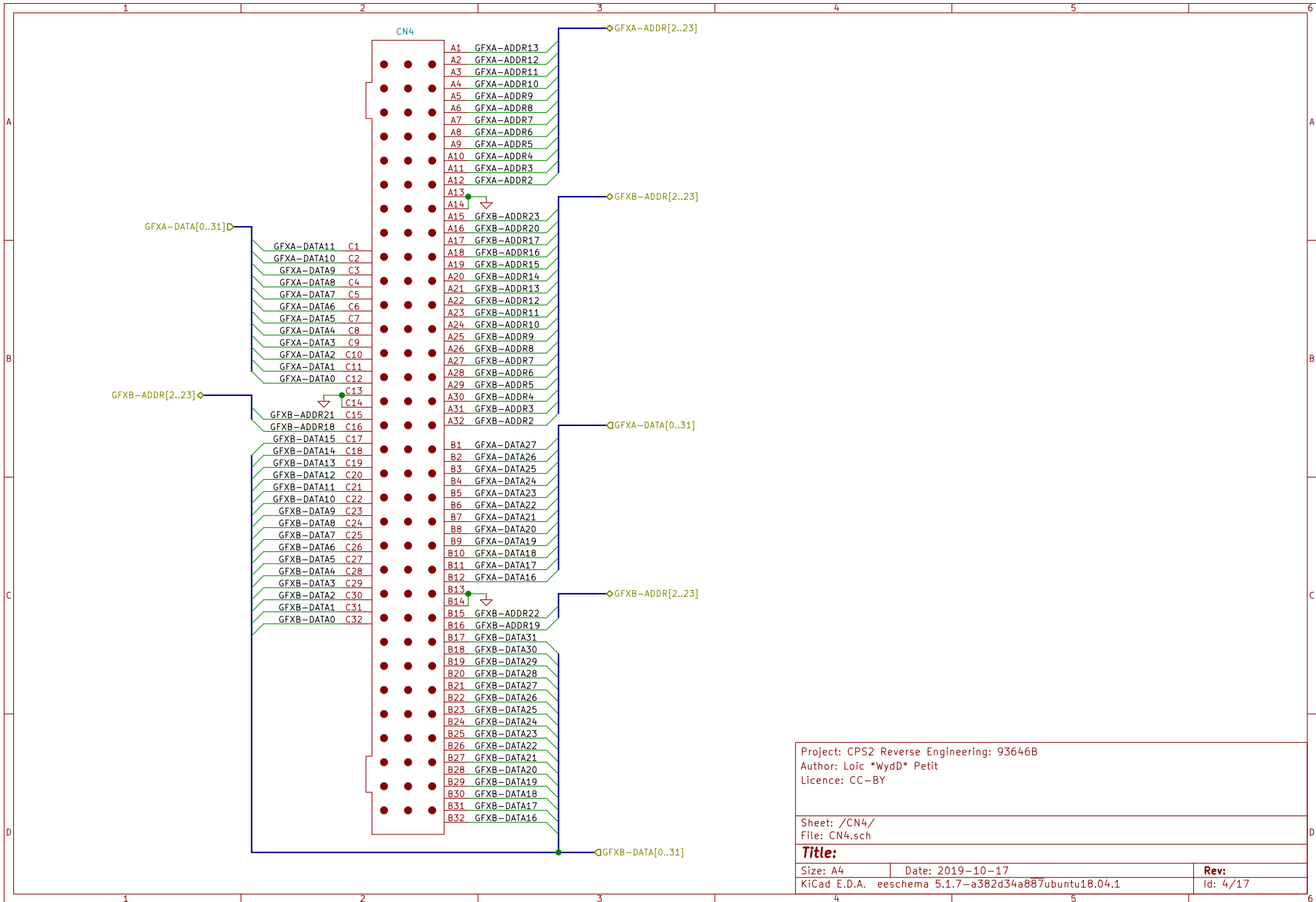


Project: CPS2 Reverse Engineering: 93646B  
 Author: Loic \*Wyd\* Petit  
 Licence: CC-BY

Sheet: /CN3/  
 File: CN3.sch

**Title:**

Size: A4	Date: 2019-10-17	Rev:
KiCad E.D.A. eeschema 5.1.7-a382d34a887ubuntu18.04.1		Id: 3/17



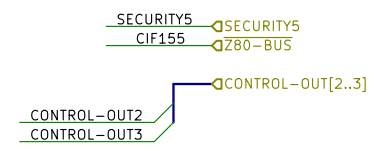
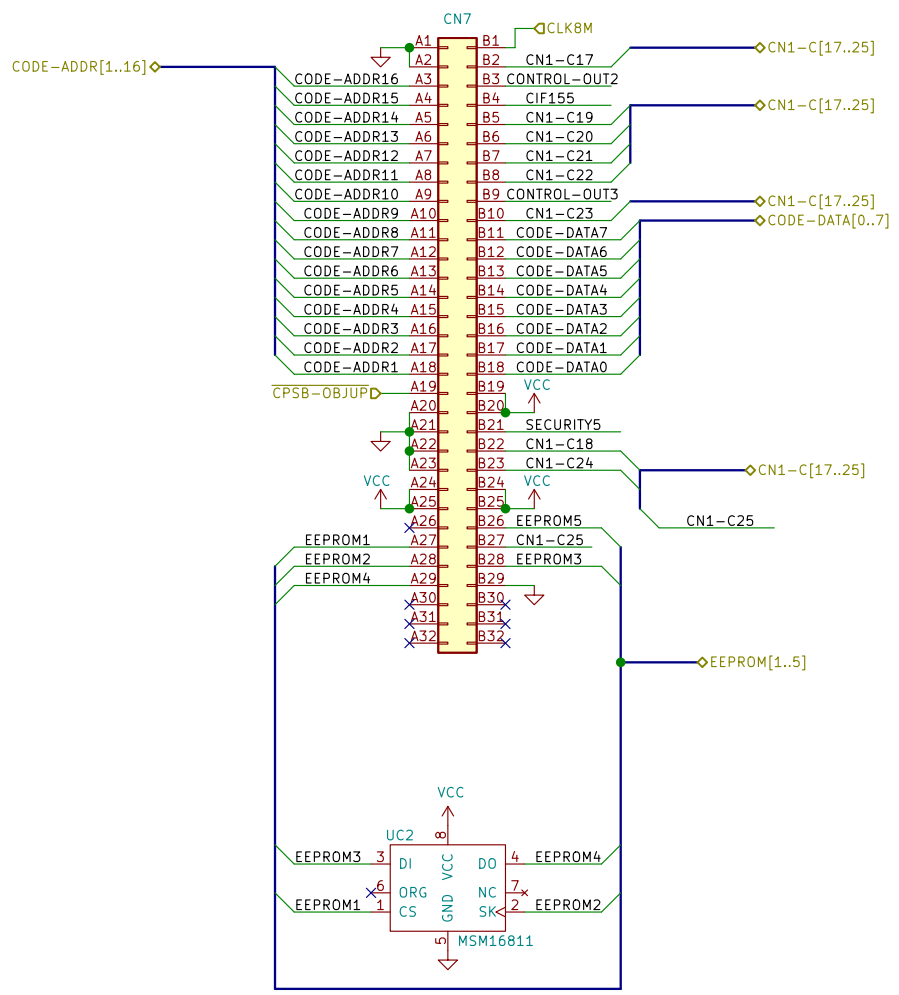
Project: CPS2 Reverse Engineering: 93646B  
 Author: Loic \*Wyd\* Petit  
 Licence: CC-BY

Sheet: /CN4/  
 File: CN4.sch

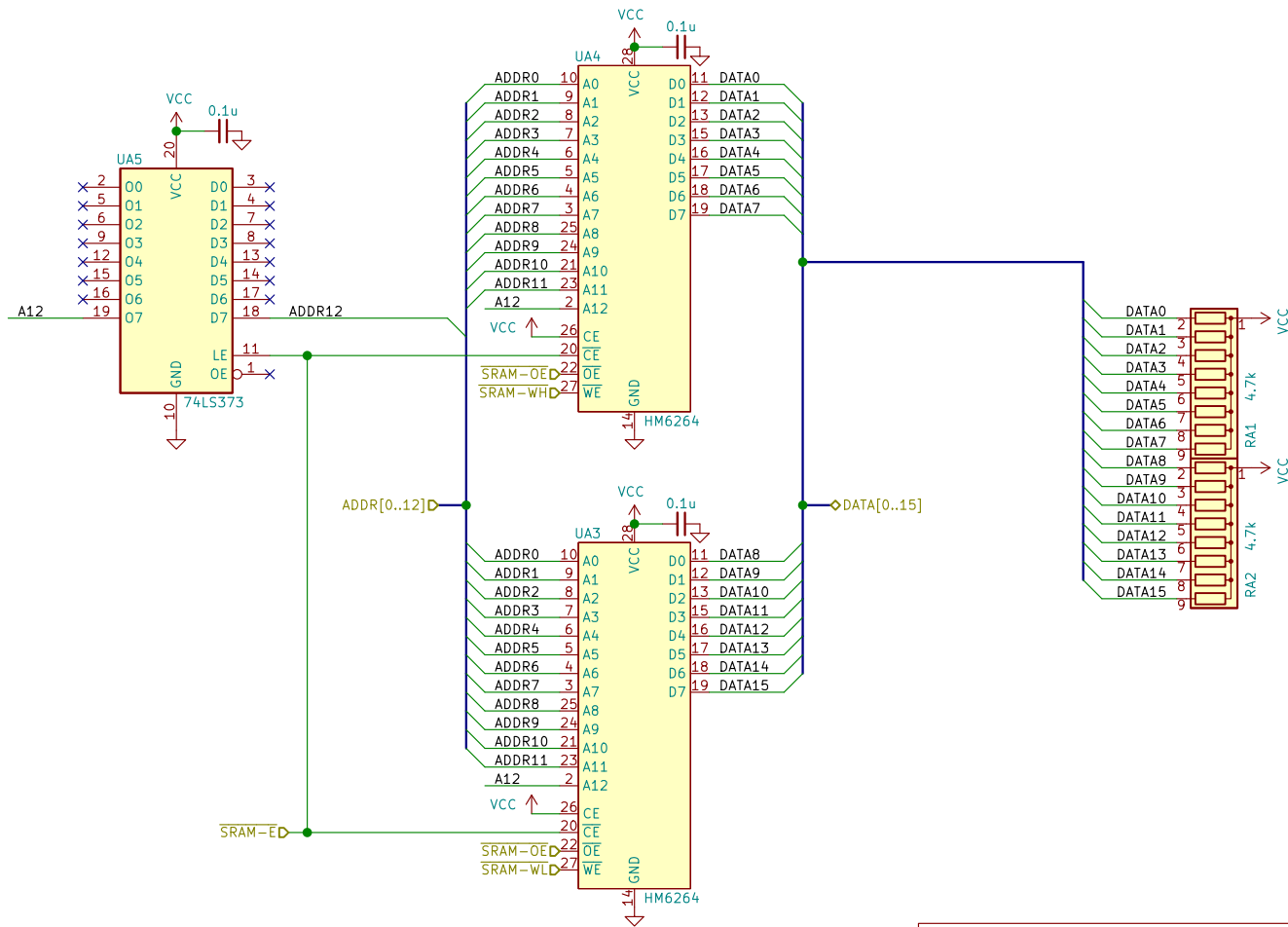
**Title:**

Size: A4 Date: 2019-10-17  
 KiCad E.D.A. eeschema 5.1.7-a382d34a887ubuntu18.04.1

**Rev:**  
 Id: 4/17



Project: CPS2 Reverse Engineering: 93646B	
Author: Loic *WydD* Petit	
Licence: CC-BY	
Sheet: /CN7/	
File: CN7.sch	
<b>Title:</b>	
Size: A4	Date: 2019-10-17
KiCad E.D.A. eeschema 5.1.7-a382d34a887ubuntu18.04.1	Rev: Id: 5/17



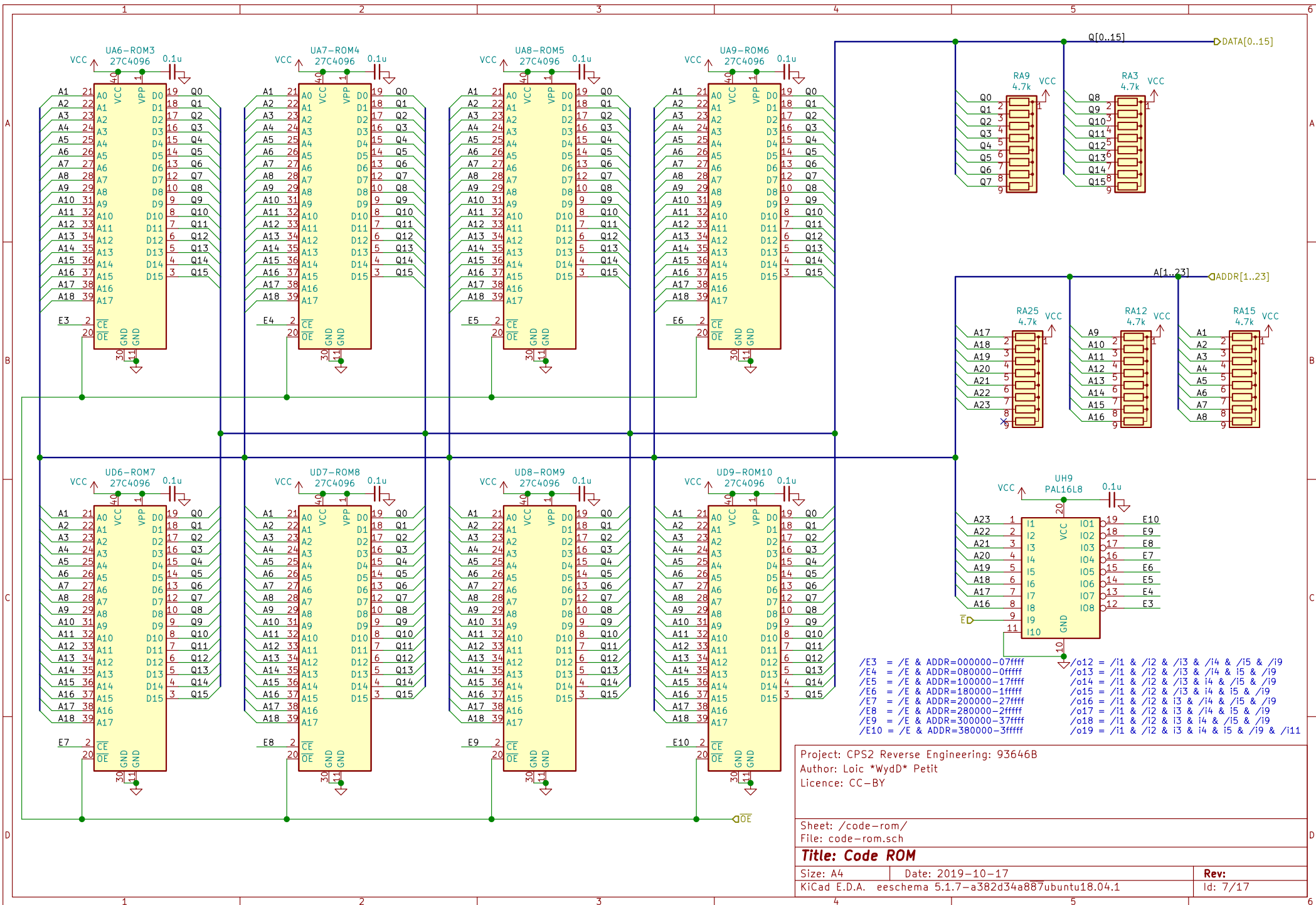
Project: CPS2 Reverse Engineering: 93646B  
 Author: Loic \*WyD\* Petit  
 Licence: CC-BY

Sheet: /SRAM/  
 File: SRAM.sch

**Title:**

Size: A4 Date: 2019-10-17  
 KiCad E.D.A. eeschema 5.1.7-a382d34a887ubuntu18.04.1

**Rev:**  
 Id: 6/17



```

/E3 = /E & ADDR=000000-07fff
/E4 = /E & ADDR=080000-0ffff
/E5 = /E & ADDR=100000-17fff
/E6 = /E & ADDR=180000-1ffff
/E7 = /E & ADDR=200000-27fff
/E8 = /E & ADDR=280000-2ffff
/E9 = /E & ADDR=300000-37fff
/E10 = /E & ADDR=380000-3ffff

/o12 = /i1 & /i2 & /i3 & /i4 & /i5 & /i9
/o13 = /i1 & /i2 & /i3 & /i4 & i5 & /i9
/o14 = /i1 & /i2 & /i3 & i4 & /i5 & /i9
/o15 = /i1 & /i2 & /i3 & i4 & i5 & /i9
/o16 = /i1 & /i2 & i3 & /i4 & /i5 & /i9
/o17 = /i1 & /i2 & i3 & /i4 & i5 & /i9
/o18 = /i1 & /i2 & i3 & i4 & /i5 & /i9
/o19 = /i1 & /i2 & i3 & i4 & i5 & /i9 & /i11

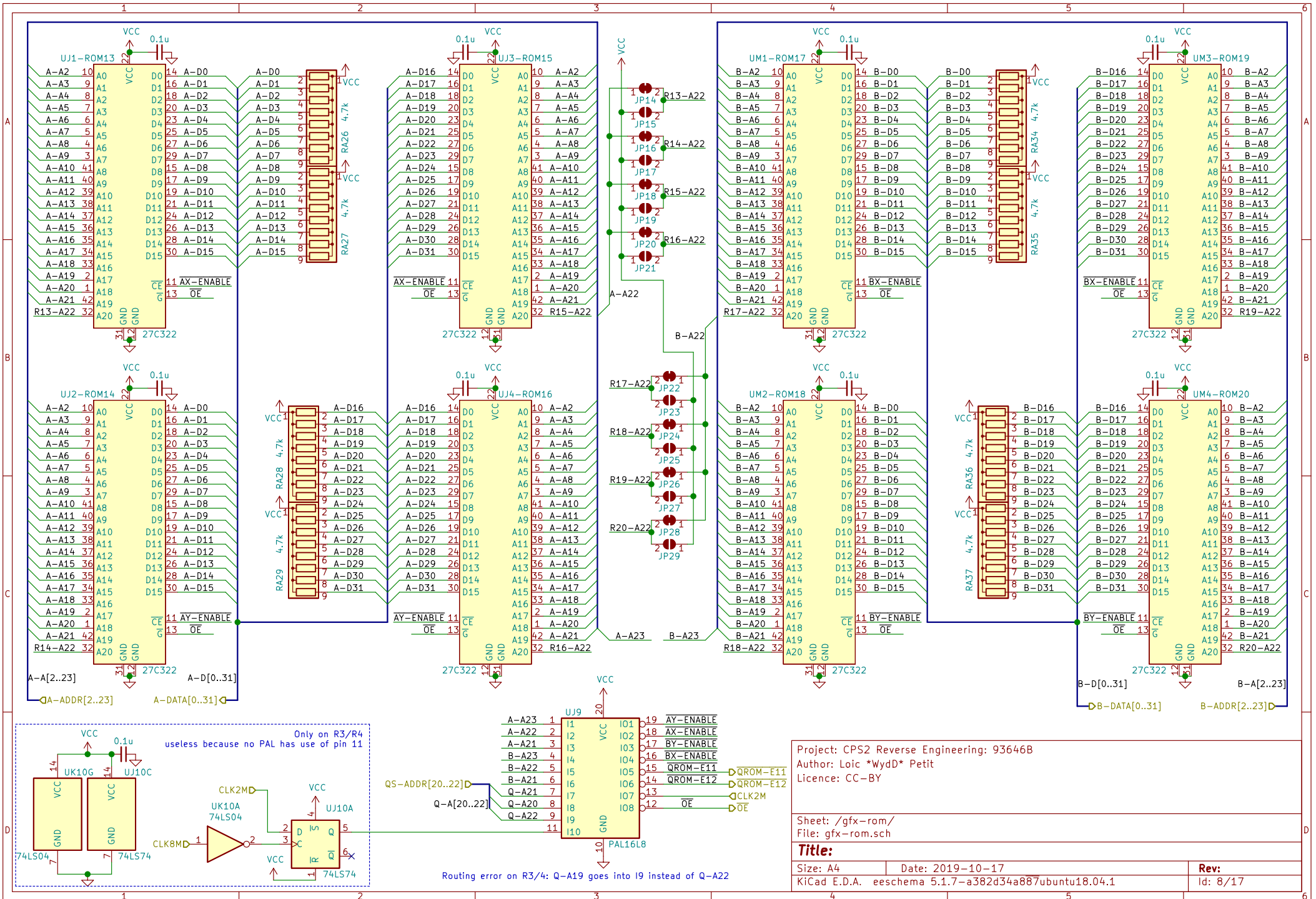
```

Project: CPS2 Reverse Engineering: 93646B  
 Author: Loic \*WydD\* Petit  
 Licence: CC-BY

Sheet: /code-rom/  
 File: code-rom.sch

**Title: Code ROM**

Size: A4      Date: 2019-10-17  
 KiCad E.D.A. eeschema 5.1.7-a382d34a887ubuntu18.04.1      Rev:      Id: 7/17

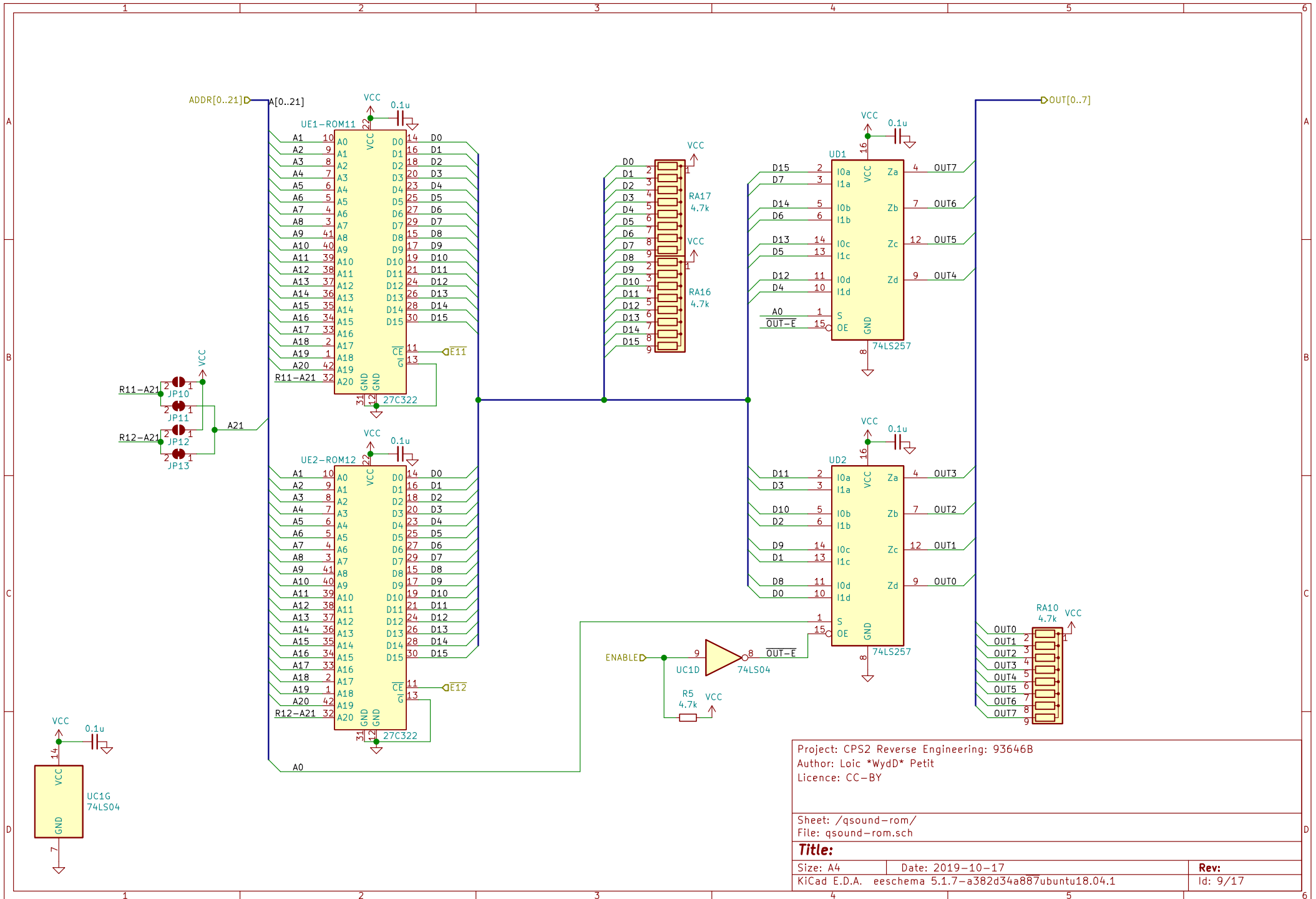


Project: CPS2 Reverse Engineering: 93646B  
 Author: Loic \*Wyd\* Petit  
 Licence: CC-BY

Sheet: /gfx-rom/  
 File: gfx-rom.sch

<b>Title:</b>	
Size: A4	Date: 2019-10-17
KiCad E.D.A. eeschema 5.1.7-a382d34a887ubuntu18.04.1	
Rev:	Id: 8/17





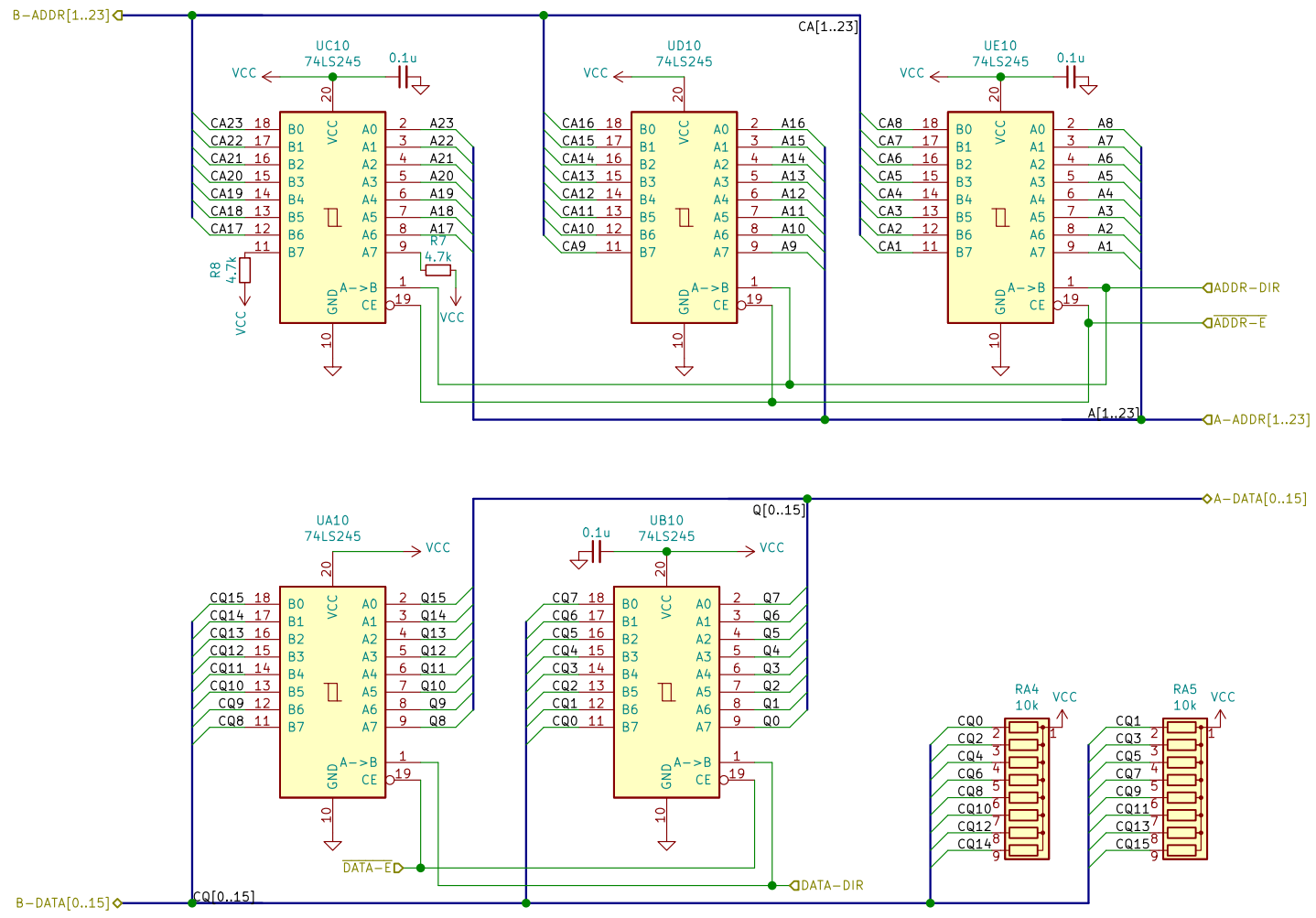
Project: CPS2 Reverse Engineering: 93646B  
 Author: Loic \*Wyd\* Petit  
 Licence: CC-BY

Sheet: /qsound-rom/  
 File: qsound-rom.sch

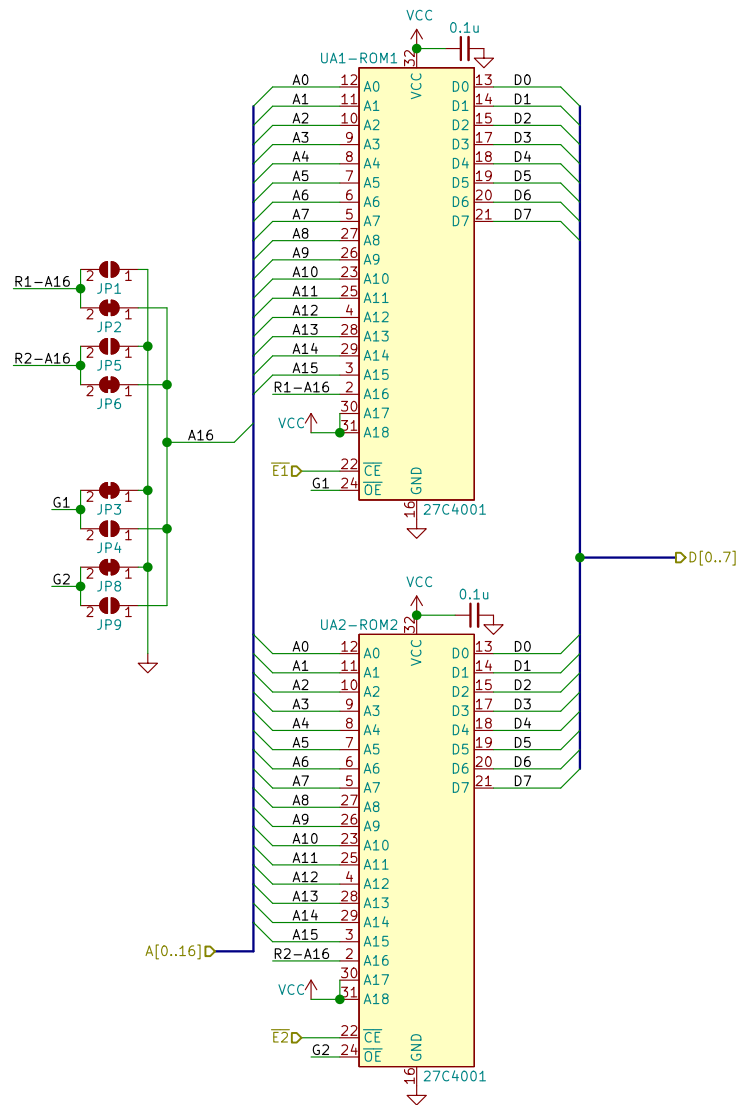
**Title:**

Size: A4 Date: 2019-10-17  
 KiCad E.D.A. eeschema 5.1.7-a382d34a887ubuntu18.04.1

Rev:  
 Id: 9/17



Project: CPS2 Reverse Engineering: 93646B	
Author: Loic *Wyd* Petit	
Licence: CC-BY	
Sheet: /rom-bus/	
File: rom-bus.sch	
<b>Title: Code ROM Bus</b>	
Size: A4	Date: 2019-10-17
KiCad E.D.A. eeschema 5.1.7-a382d34a887ubuntu18.04.1	Rev: Id: 10/17

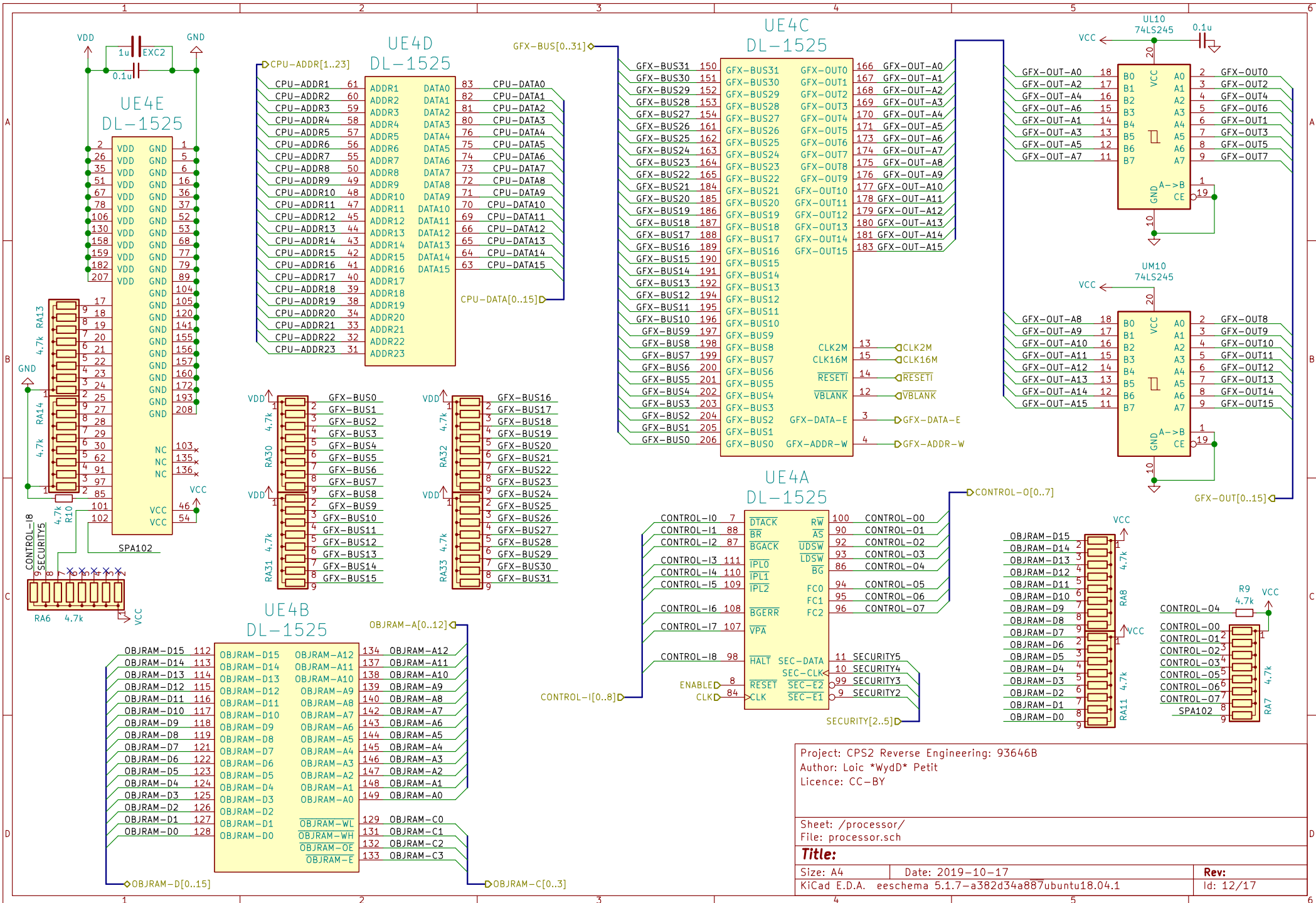


Project: CPS2 Reverse Engineering: 93646B  
 Author: Loic \*Wyd\* Petit  
 Licence: CC-BY

Sheet: /sound-rom/  
 File: sound-rom.sch

**Title:**

Size: A4	Date: 2019-10-17	<b>Rev:</b>
KiCad E.D.A. eeschema 5.1.7-a382d34a887ubuntu18.04.1		Id: 11/17



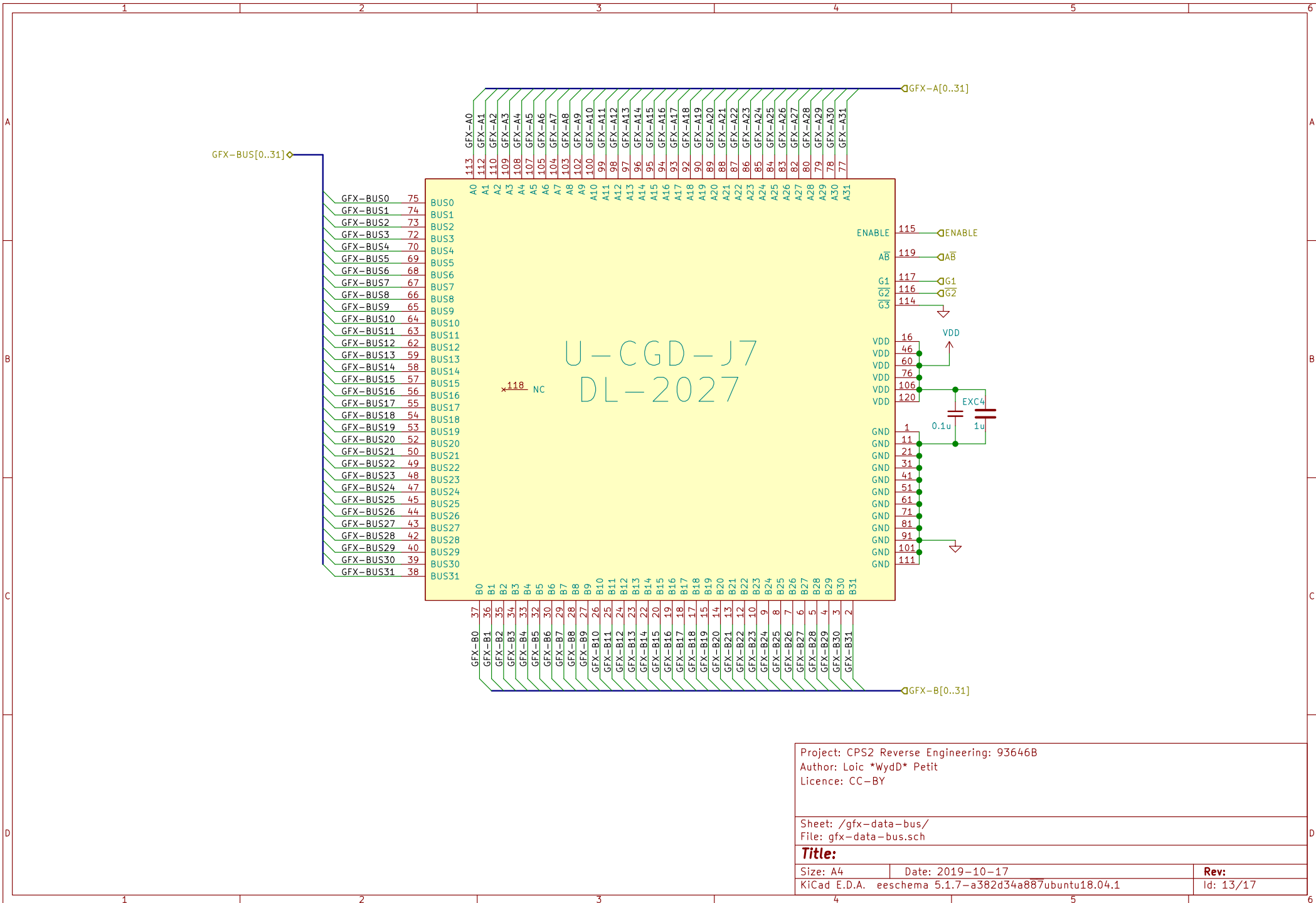
Project: CPS2 Reverse Engineering: 93646B  
 Author: Loic \*WydD\* Petit  
 Licence: CC-BY

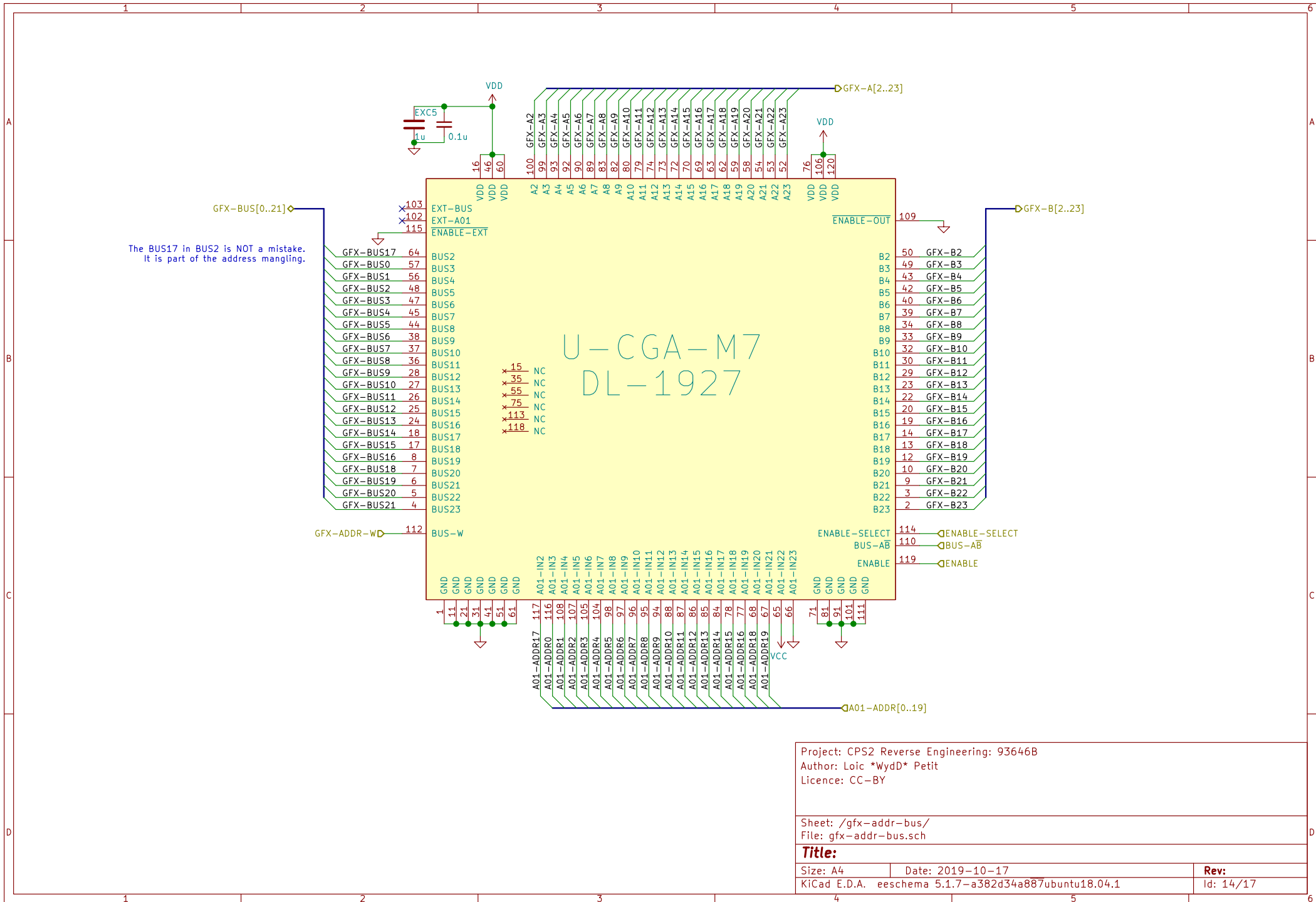
Sheet: /processor/  
 File: processor.sch

**Title:**

Size: A4 Date: 2019-10-17  
 KiCad E.D.A. eeschema 5.1.7-a382d34a887ubuntu18.04.1

**Rev:**  
 Id: 12/17





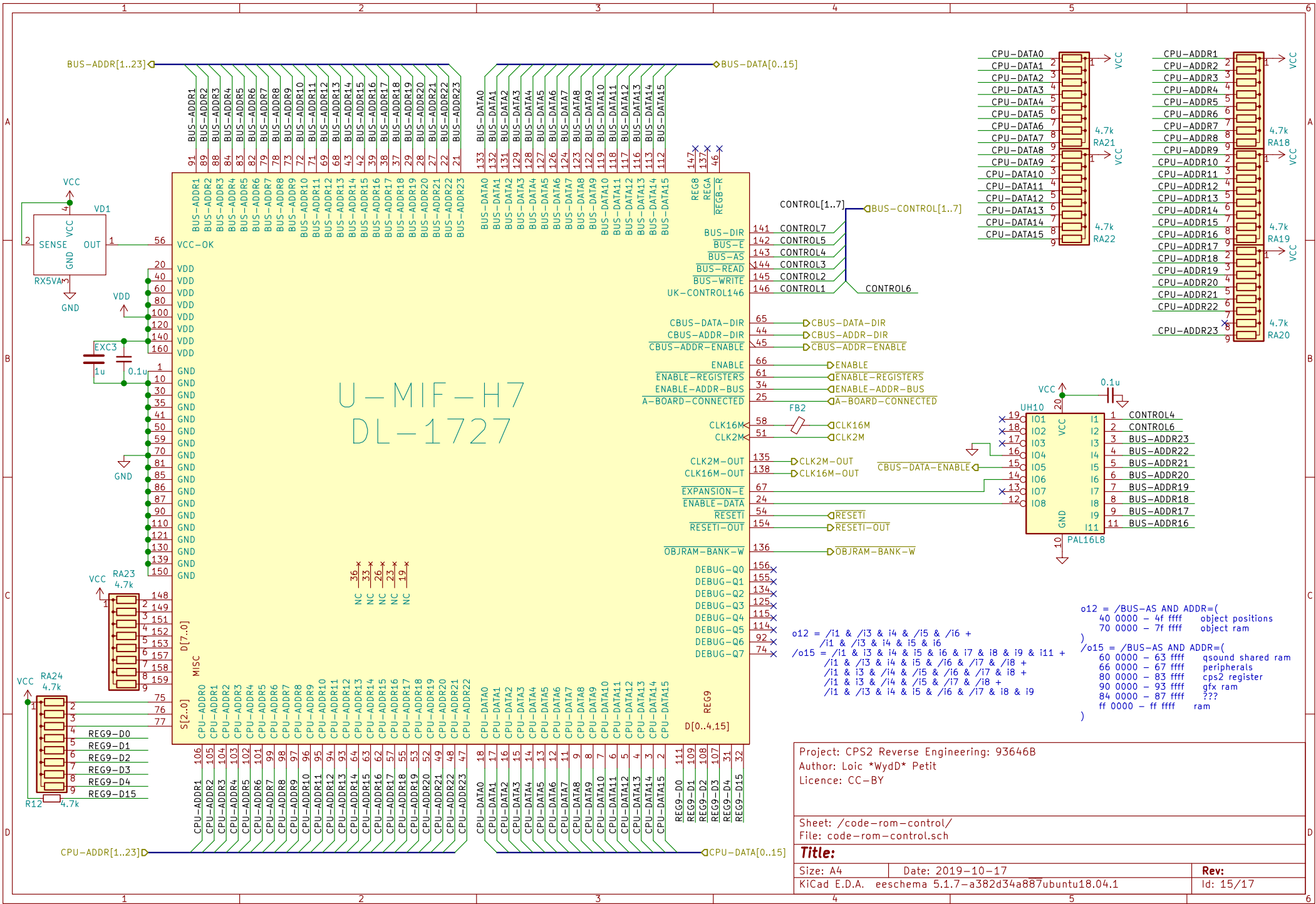
Project: CPS2 Reverse Engineering: 93646B  
 Author: Loic \*Wyd\* Petit  
 Licence: CC-BY

Sheet: /gfx-addr-bus/  
 File: gfx-addr-bus.sch

**Title:**

Size: A4 Date: 2019-10-17  
 KiCad E.D.A. \*eeschema 5.1.7-a382d34a887ubuntu18.04.1

**Rev:**  
 Id: 14/17



U-MIF-H7  
DL-1727

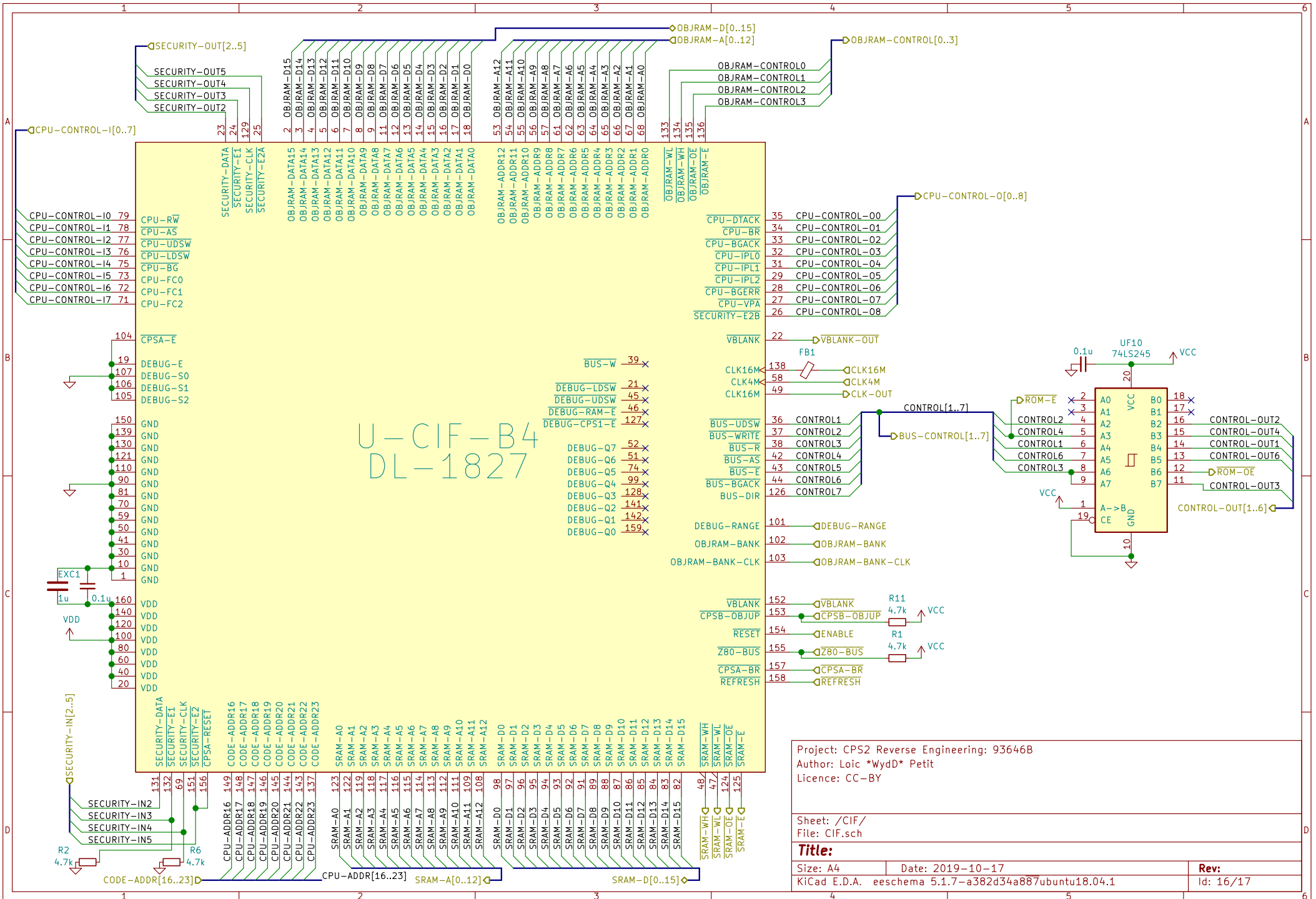
Project: CPS2 Reverse Engineering: 93646B  
 Author: Loic \*WydD\* Petit  
 Licence: CC-BY

Sheet: /code-rom-control/  
 File: code-rom-control.sch

**Title:**

Size: A4 Date: 2019-10-17  
 KiCad E.D.A. eeschema 5.1.7-a382d34a887ubuntu18.04.1  
 Rev: Id: 15/17

o12 = /i1 & /i3 & i4 & /i5 & /i6 +  
 /i1 & /i3 & i4 & i5 & i6  
 /o15 = /BUS-AS AND ADDR=(  
 60 0000 - 63 ffff qshared shared ram  
 66 0000 - 67 ffff peripherals  
 80 0000 - 83 ffff cps2 register  
 90 0000 - 93 ffff gfx ram  
 84 0000 - 87 ffff ???  
 ff 0000 - ff ffff ram



Project: CPS2 Reverse Engineering: 93646B  
 Author: Loic \*WydD\* Petit  
 Licence: CC-BY

---

Sheet: /CIF/  
 File: CIF.sch

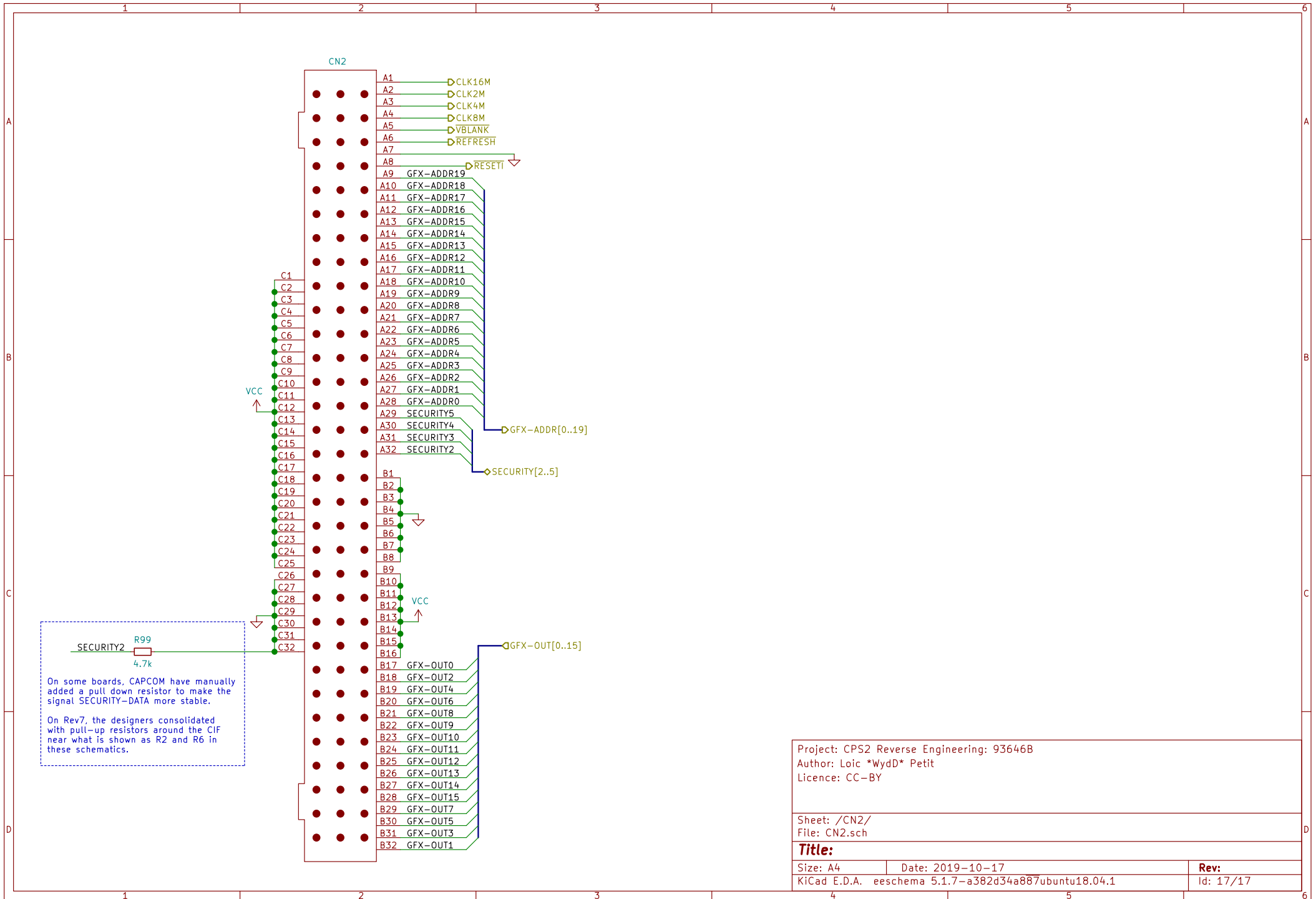
---

**Title:**

---

Size: A4	Date: 2019-10-17	Rev:
KiCad E.D.A. eeschema 5.1.7-a382d34a887ubuntu18.04.1		Id: 16/17





SECURITY2 R99  
4.7k

On some boards, CAPCOM have manually added a pull down resistor to make the signal SECURITY-DATA more stable.

On Rev7, the designers consolidated with pull-up resistors around the CIF near what is shown as R2 and R6 in these schematics.

Project: CPS2 Reverse Engineering: 93646B  
 Author: Loic \*Wyd\* Petit  
 Licence: CC-BY

Sheet: /CN2/  
 File: CN2.sch

**Title:**

Size: A4	Date: 2019-10-17	Rev:
KiCad E.D.A. eeschema 5.1.7-a382d34a887ubuntu18.04.1		Id: 17/17